

High Pressure Needle Valve
316SS
10,000 PSI (1/4" - 1")



SERIES NV10000



GLOBAL VALVE
& CONTROLS



Providing Hundreds of Products. Supporting Thousands of Clients. Controlling Millions of Gallons.

DEPEND ON US. WE CAN HANDLE THE PRESSURE.



SERIES G



GF-3



SERIESCK



GLF-4



SERIESGL



CKF-2



NVG6000



NV10000



GLOBAL VALVE & CONTROLS



20-RP



20-FP



SERIES SBG



SERIES EXPG



SERIES FS



BV2000



SERIES 2T/3T



BV3600



BV6000



CFS



SERIES 30

BV3705



YFS w/ MCB



FS525



SERIES 790



SERIES 10



SERIES 800



SERIES FSD-61

Discover the difference!



Series NV10000


- ◆ Sizes 1/4" - 1"
- ◆ 10,000 (PSI) Rated
- ◆ Stainless **Needle** Design
- ◆ Packed Bonnet Style
- ◆ Standard Panel Nut for easy Assembly
- ◆ NACE MR0175 Compliant
- ◆ B16.34 Base Design
- ◆ Threads conform to ASME B1.20.1
- ◆ Hard Seat



GLOBAL Valve & Controls®  is an ISO 9001 certified and API 6D, Q1 licensed valve manufacturer of Domestic and Non Domestic products. Offering Ball, Globe, Gate, Expanding Gate, Slab Gate, Check, and Needle Valves; Actuators and Automation Accessories.

 accommodates & services the Upstream, Midstream & Down-stream market segments of the oil/gas industry, with a primary focus on Natural Gas Transport and Storage Projects, as well as, the Petrochemical, Agricultural, Mining, Water/ Waste Management, and Aerospace Industrial Sectors.

GLOBAL Valve & Controls® has the right valve for the right application, ranging from ANSI 150 through 2500, sizes 1/4 to 48", in Stainless Steel, Carbon Steel, Alloy 20, Monel, Duplex, and other various exotic body materials.

 also carries fully automated valve packages, fugitive emission solutions, control packages, cryogenic valves, as well as, various valve coating solutions. Special Ordering is available!

GLOBAL Valve & Controls® continues to make strides in elevating our company beyond industry standards, by being consistent in providing products that are of superior quality and performance, dedicating ourselves to quality assurance, and being immediately responsive to our customer needs. We look forward to the opportunity to supply your valve needs!

Sincerely

Troy Richard
CEO at GLOBAL Valve
& Controls

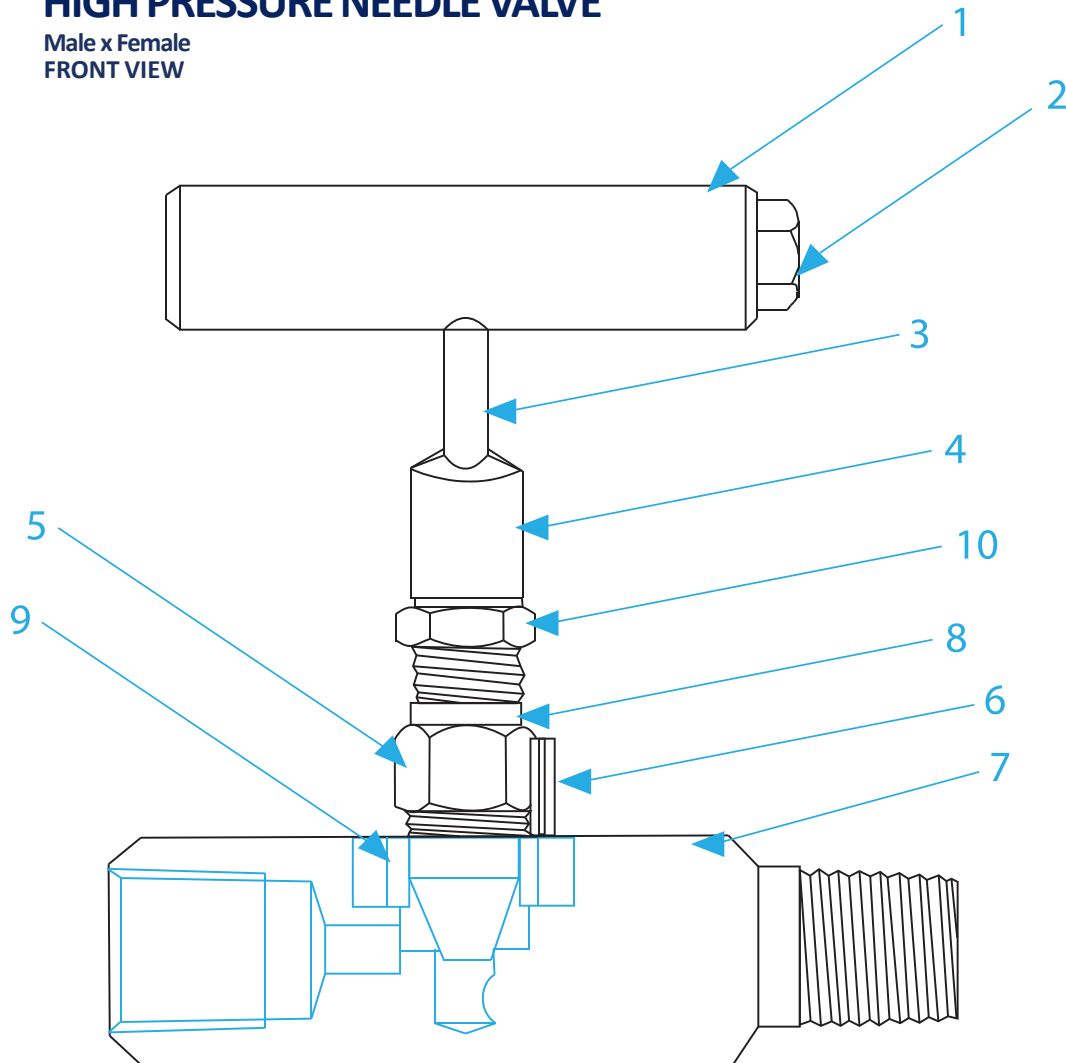


MATERIALS OF CONSTRUCTION

SERIES NV10000

HIGH PRESSURE NEEDLE VALVE

Male x Female
FRONT VIEW



Bill of Materials

NO.	PART NAME	MATERIAL
1	Handle	304SS
2	Cap Screw	304SS
3	Stem	316SS
4	Dust Cap	Plastic
5	Bonnet	A276-316
6	Pin	304SS
7	Body	A246-316
8	Stem Bushing	316SS
9	Seat	Metallic or Nylon
10	Panel Nut	316SS

Design Standards

MANUFACTURING & TESTING STANDARDS	
Thread Ends	ASME B 1.20.1
Base Design	ASME B16.34
NACE	MR0175

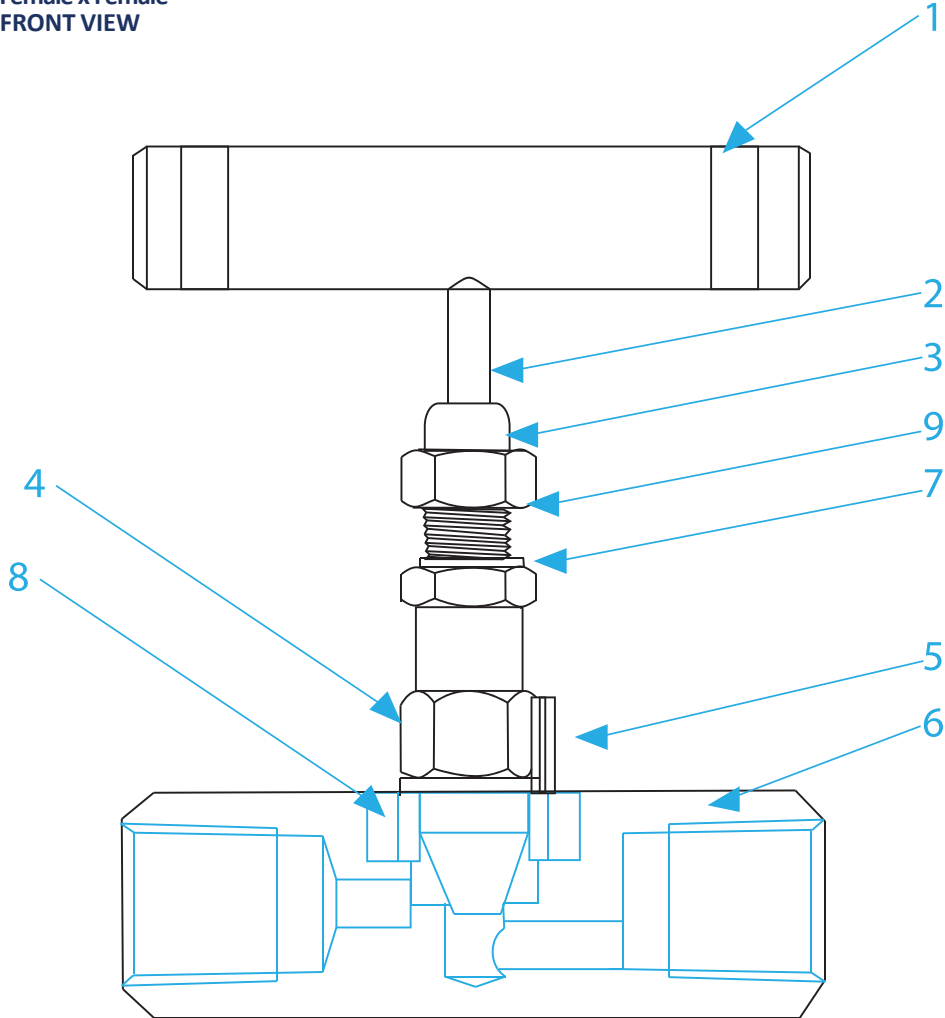


MATERIALS OF CONSTRUCTION

SERIES NV10000

HIGH PRESSURE NEEDLE VALVE

Female x Female
FRONT VIEW

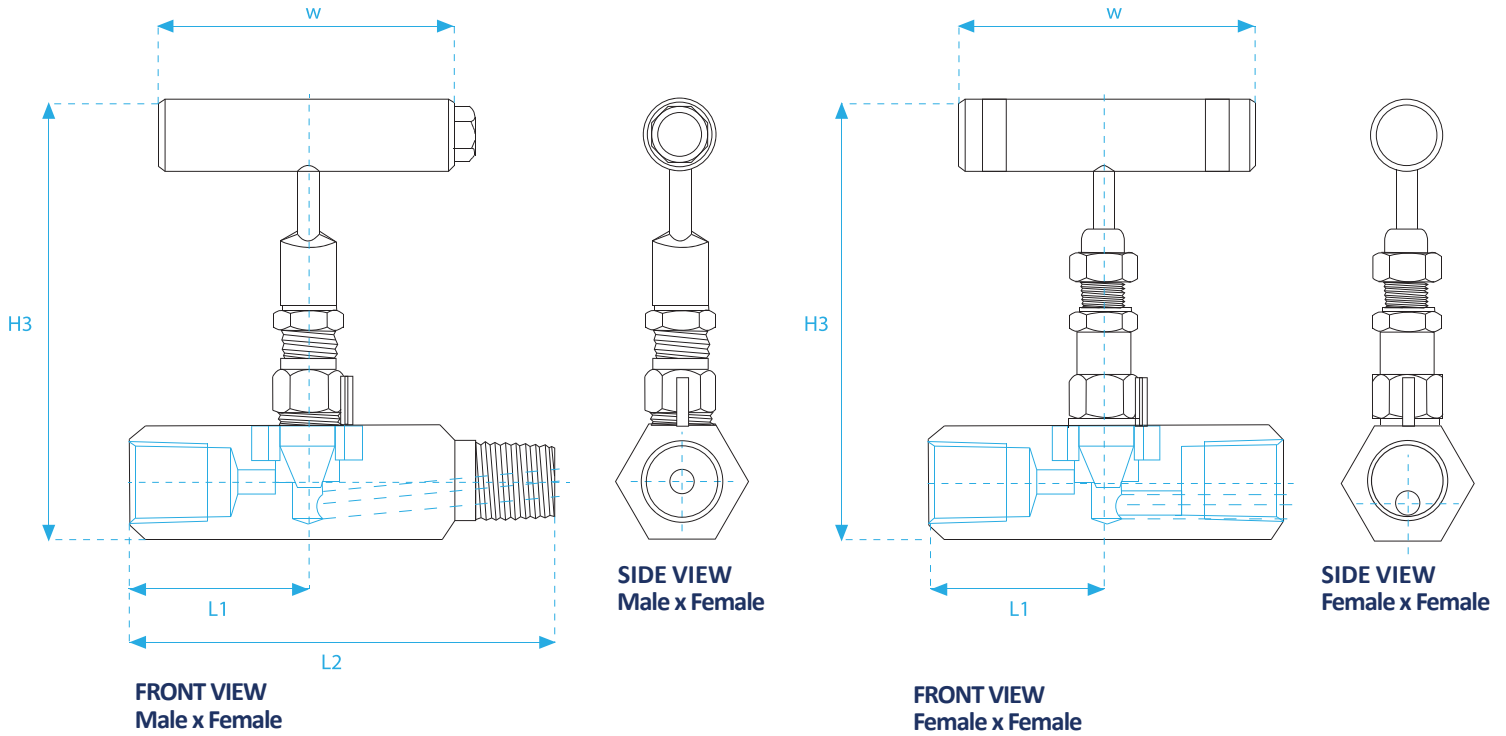


Bill of Materials

NO.	PART NAME	MATERIAL
1	Handle	304SS
2	Stem	316SS
3	Dust Cap	Plastic
4	Bonnet	A276-316
5	Pin	304SS
6	Body	A246-316
7	Stem Bushing	316SS
8	Seat	Metallic or Nylon
9	Panel Nut	316SS

Design Standards

MANUFACTURING & TESTING STANDARDS	
Thread Ends	ASME B 1.20.1
Base Design	ASME B16.34
NACE	MR0175



Dimension Chart

Unit	Size		W	H3	L1	L2
	DN	NPS				
in	.314"	1/4"	2.362"	3.622"	1.37"	3.22"
mm	8	6.3	60	92	34.7	81.8
in	.393"	3/8"	2.362"	3.622"	1.37"	3.22"
mm	10	9.5	60	92	34.7	81.8
in	.590"	1/2"	2.362"	3.622"	1.37"	3.22"
mm	15	12.7	60	92	34.7	81.8
in	.787"	3/4"	2.755"	4.33"	1.37"	3.22"
mm	20	19	70	110	34.7	81.8
in	.984"	1"	3.149"	5.314"	1.57"	3.70
mm	25	25.4	80	135	39.8	93.9

Temperature Rating

SEAT MATERIAL	TEMPERATURE RATING	PRESSURE RATING @MAX TEMPERATURE
Nylon	-20°F ~ 200°F (-29°C ~ 93°C)	10000 psig @200°F (93°C)
Metallic	-20°F ~ 200°F	10000 psig @400°F (204°C)



SERIES NV10000

- ◆ Sizes 1/4 – 1" Stainless Needle Design
 - ◆ Packed Bonnet Style
 - ◆ NACE MR0175 Compliant
 - ◆ Standard Panel Nut for easy Assembly
- End Connections in either Male/Female or Female/Female

Series	Body	Trim	Ends	Options	Size
NV10000	3 - 316SS	3 - 316SS	FxF - Female x Female NPT ends	X - Special	1/4" - 1"
			MxF - Male x Female NPT ends		

NV10000	3	3	MXF	-.50	
Series	Body	Trim	Ends	Options	Size

Description:

1/2" 10000 PSI Male X Female Needle Valve, 316SS body and trim, Panel Mount Assembly

PLEASE NOTE: There may be some performance variations between the GVC Series NV10000 and other manufacturer's comparable body designs. To ensure the longevity of performance, please provide specific information relevant to the requirements needed for each application process.



8535 Jackrabbit Rd., Ste i
Houston, TX 77095
866.965.8GVC (482)
281.463.1474 office
281.463.7735 fax
www.GVCINTL.com