

Cast Check Valve
WCB ■ CF8M ■ Various other Alloys
ANSI 150-300-600-900-1500-2500 (2"-30")



SERIES CK



**GLOBAL VALVE
& CONTROLS**



Providing Hundreds of Products. Supporting Thousands of Clients. Controlling Millions of Gallons.

DEPEND ON US. WE CAN HANDLE THE PRESSURE.



SERIES G



GF-3



SERIES CK



GLF-4



SERIES GL



CKF-2



NVG6000



NV10000



™



20-RP



20-FP

GLOBAL VALVE & CONTROLS



SERIES SBG



SERIES EXPG



SERIES FS



BV2000



SERIES 2T/3T



BV3600



BV6000



CFS



SERIES 30



BV3705



YFS w/ MCB



FS525



SERIES 790



SERIES 10



SERIES 800



SERIES FSD-61

Discover the difference!



Series CK


- ◆ Sizes 2" - 30"
- ◆ ANSI Class 150-2500
- ◆ Cast Steel Swing Check
- ◆ API 6D Design
- ◆ Bolted Bonnet Design
- ◆ WCB, CF8M, and Various Other Alloys available
- ◆ NACE MR0175 Compliant
- ◆ B16.10
- ◆ B16.5
- ◆ B16.34
- ◆ Butt Weld, Raised Face, and Ring Type Joint Ends (RTJ)



GLOBAL Valve & Controls®  is an ISO 9001 certified and API 6D, Q1 licensed valve manufacturer of Domestic and Non Domestic products. Offering Ball, Globe, Gate, Expanding Gate, Slab Gate, Check, and Needle Valves; Actuators and Automation Accessories.

 accommodates & services the Upstream, Midstream & Down-stream market segments of the oil/gas industry, with a primary focus on Natural Gas Transport and Storage Projects, as well as, the Petrochemical, Agricultural, Mining, Water/ Waste Management, and Aerospace Industrial Sectors.

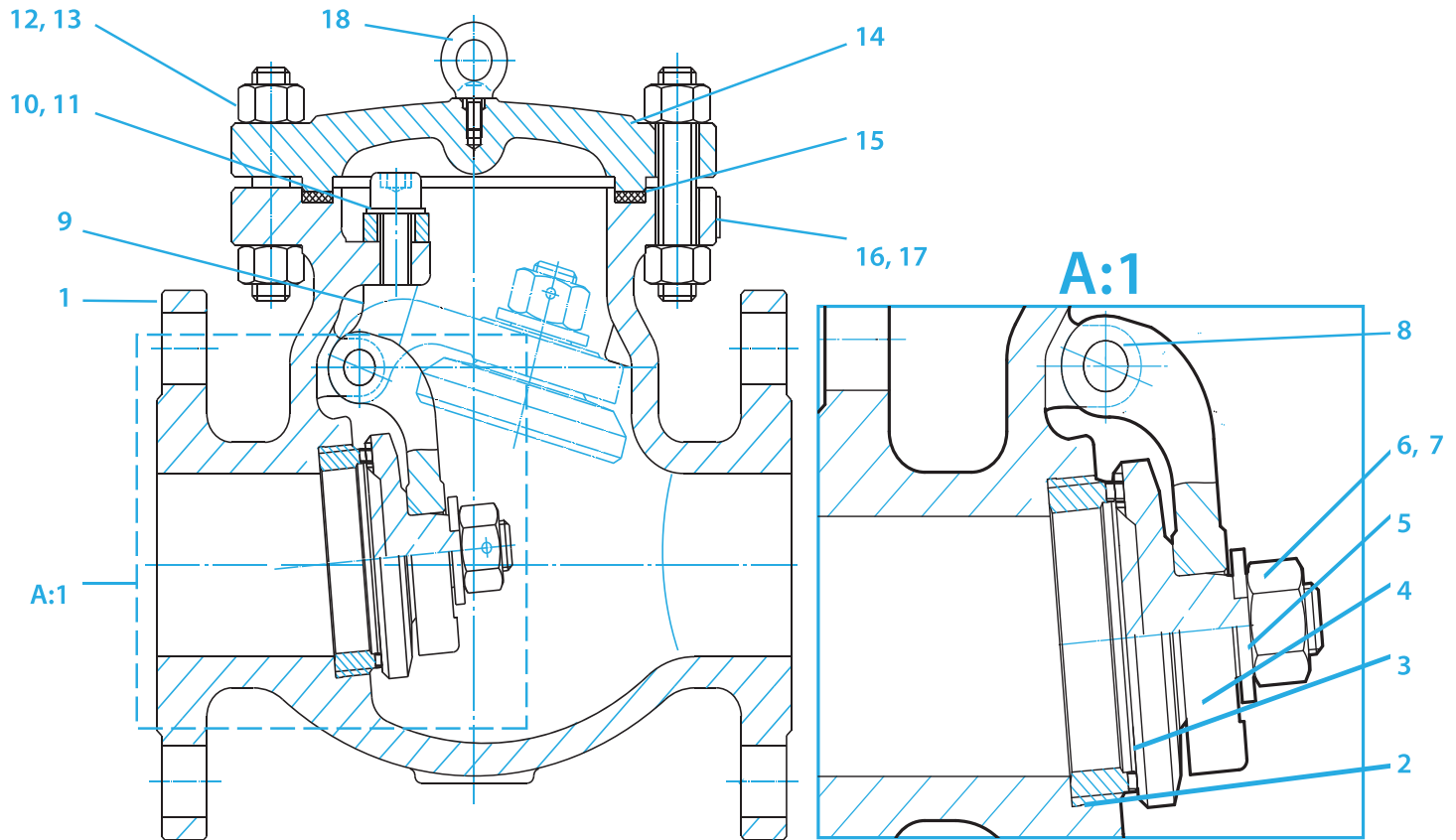
GLOBAL Valve & Controls® has the right valve for the right application, ranging from ANSI 150 through 2500, sizes 1/4 to 48", in Stainless Steel, Carbon Steel, Alloy 20, Monel, Duplex, and other various exotic body materials.

 also carries fully automated valve packages, fugitive emission solutions, control packages, cryogenic valves, as well as, various valve coating solutions. Special Ordering is available!

GLOBAL Valve & Controls® continues to make strides in elevating our company beyond industry standards, by being consistent in providing products that are of superior quality and performance, dedicating ourselves to quality assurance, and being immediately responsive to our customer needs. We look forward to the opportunity to supply your valve needs!

Sincerely

Troy Richard
CEO at GLOBAL Valve
& Controls

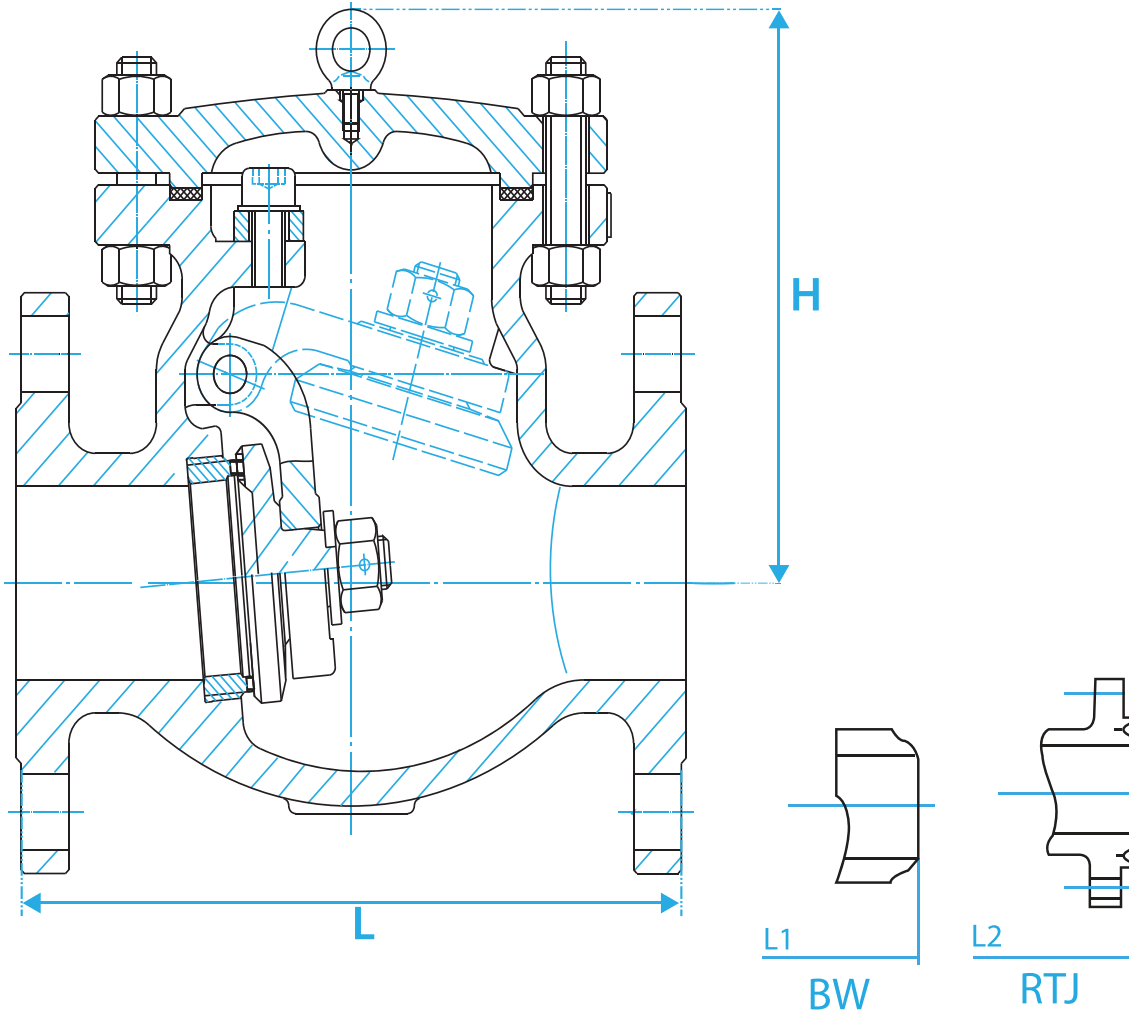


BILL OF MATERIALS

NO.	PART NAME	MATERIAL					
1	Body	A216 WCB	A352-LCC	A217-WC6	A217-C5	A351-CF8M	
2	Seat	API Trim #5, 8, 10 & 12					
3	Disc	API Trim #5, 8, 10 & 12					
4	Hinge	A216 WCB	A352-LCC	A217-WC6	A217-C5	A351-CF8M	
5	Washer	A276-410					
6	Nut	A194 2HM	A194-4	A194-2H	A194-8M	A194-8	
7	Clip	321					
8	Pin	A182-F6a					
9	Yoke	A216 WCB	A352-LCC	A217-WC6	A217-C5	A351-CF8M	
10	Hex Screw	A193 B8					
11	Washer	A140					
12	Bolt	A193-B7M	A320-L7	A193-B7	A193-B8M	A193-B8	
13	Hex Nut	A194 2HM	A194-4	A194-2H	A194-8M	A194-8	
14	Bonnet	A216 WCB	A352-LCC	A217-WC6	A217-C5	A351-CF8M	
15	Gasket	Graphite+304					
16	Nameplate	SS304					
17	Rivet	H62					
18	Screw	1025					

DESIGN STANDARDS

MANUFACTURING & TESTING STANDARDS	
Face to Face	ASME B16.10
Temperature/Pressure Rating	ASME B16.34
End Flanges	ASME B16.5
Inspection and Test	API 6D
Butt Welding Ends	ASME B16.25
Base Design	API 6D
NACE	MR0175



◆ Series CK Valves ANSI Class 2500 are available. For additional information please contact GVC.

CLASS 150

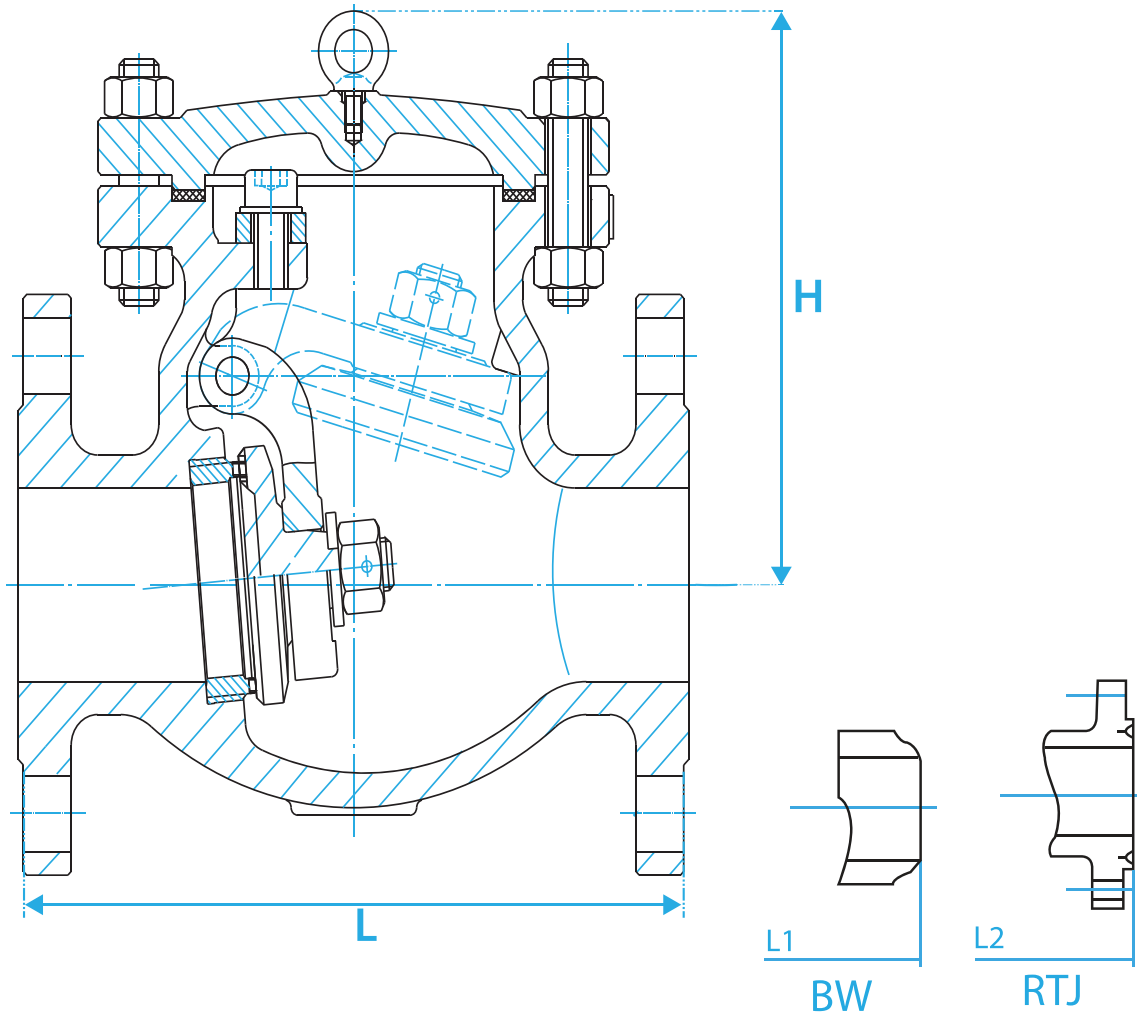
Class 150						
Units	Size	L	L1	L2	H	Weight
in	2	8	8.5	8	5.71	37.5
mm	50	203	216	203	145	17
in	2 1/2	8.5	9	8.5	6.3	44
mm	65	216	229	216	160	20
in	3	9.5	10	9.5	7.09	55
mm	80	241	254	241	180	25
in	4	11.5	12	11.5	8.27	88
mm	100	292	305	292	210	40
in	6	14	14.5	14	11.5	205
mm	150	356	369	356	292	93
in	8	19.5	20	19.5	14.17	295.5
mm	200	495	508	495	360	134
in	10	24.5	25	24.5	15.75	438.5
mm	250	622	635	622	400	199
in	12	27.5	28	27.5	18.31	672.5
mm	300	698	711	698	465	305
in	14	31	31.5	31	20.63	815.5
mm	350	787	800	787	524	370
in	16	34	34.5	34	24.41	1195
mm	400	864	877	864	620	542
in	18	38.5	39	38.5	27.17	1653.5
mm	450	978	991	978	690	750
in	20	38.5	39	38.5	28.35	1984
mm	500	978	991	978	720	900
in	24	51	51.5	51	29.13	2645.5
mm	600	1295	1308	1295	740	1200
in	28	57	-	57	33.46	3858
mm	700	1448	-	1448	850	1750
in	30	60	-	60	39.57	4630
mm	750	1524	-	1524	1005	2100

CLASS 300

Class 300						
Units	Size	L	L1	L2	H	Weight
in	2	10.5	11.13	10.5	6.22	51
mm	50	267	283	267	158	23
in	2 1/2	11.5	12.13	11.5	7.09	81.5
mm	65	292	308	292	180	37
in	3	12.5	13.13	12.5	7.87	101.5
mm	80	318	334	318	200	46
in	4	14	14.63	14	8.98	156.5
mm	100	356	372	356	228	71
in	6	17.5	18.13	17.5	12.4	260
mm	150	444	460	444	315	118
in	8	21	21.63	21	15.16	445
mm	200	533	549	533	385	202
in	10	24.5	25.13	24.5	17	652.5
mm	250	622	638	622	432	296
in	12	28	28.63	28	19.29	943.5
mm	300	711	727	711	490	428
in	14	33	33.63	33	21.73	1285
mm	350	838	854	838	552	583
in	16	34	34.63	34	24.61	1662
mm	400	864	880	864	625	754
in	18	38.5	39.13	38.5	26.61	2061
mm	450	978	994	978	676	935
in	20	40	40.75	40	29.21	2546
mm	500	1016	1035	1016	742	1155
in	24	53	53.88	53	31.89	3104
mm	600	1346	1368	1346	810	1408

CLASS 600

Class 600						
Units	Size	L	L1	L2	H	Weight
in	2	11.5	11.63	11.5	6.69	57.5
mm	50	292	295	292	170	26
in	2 1/2	13	13.13	13	7.4	70.5
mm	65	330	333	330	188	32
in	3	14	14.13	14	9.37	108
mm	80	356	359	356	238	49
in	4	17	17.13	17	11.42	189.5
mm	100	432	435	432	290	86
in	6	22	22.13	22	13.98	555.5
mm	150	559	562	559	355	252
in	8	26	26.13	26	16.34	946
mm	200	660	663	660	415	429
in	10	31	31.13	31	18.82	1228
mm	250	787	790	787	478	557
in	12	33	33.13	33	21.26	1477
mm	300	838	841	838	540	670
in	14	35	35.13	35	22.83	2081
mm	350	889	892	889	580	944
in	16	39	39.13	39	26.38	2866
mm	400	991	994	991	670	1300



◆ Series CK Valves ANSI Class 2500 are available. For additional information please contact GVC.

CLASS 900

		Class 900				
Units	Size	L	L1	L2	H	Weight
in	2	14.5	14.63	14.5	7.87	128
mm	50	368	371	386	200	58
in	2 1/2	16.5	16.63	16.5	10.24	167.5
mm	65	419	422	419	260	76
in	3	15	15.13	15	11.22	220.5
mm	80	381	384	381	285	100
in	4	18	18.13	18	12.76	308.5
mm	100	457	460	457	324	140
in	6	24	24.13	24	16.69	648
mm	150	610	613	610	424	294
in	8	29	29.13	29	20.55	1543
mm	200	737	740	737	522	700
in	10	33	33.13	33	21.46	1596
mm	250	838	841	838	545	724
in	12	38	38.13	38	23.23	1918
mm	300	965	968	965	590	870
in	14	40.5	40.88	40.5	25.2	2764.5
mm	350	1029	1039	1029	640	1254
in	16	44.5	44.88	44.5	27.56	3968
mm	400	1130	1140	1130	700	1800

CLASS 1500

		Class 1500				
Units	Size	L	L1	L2	H	Weight
in	2	14.5	14.63	14.5	7.87	145.5
mm	50	368	371	368	200	66
in	2 1/2	16.5	16.63	16.5	10.63	185
mm	65	419	422	419	270	84
in	3	18.5	18.63	18.5	11.22	271
mm	80	470	473	470	285	123
in	4	21.5	21.63	21.5	13.9	423
mm	100	546	549	546	353	192
in	6	27.75	28	27.75	18.5	1060.5
mm	150	705	711	705	470	481
in	8	32.75	33.13	32.75	22.09	1675.5
mm	200	832	842	832	561	760
in	10	39	39.38	39	25.98	2332.5
mm	250	991	1001	991	660	1058
in	12	44.5	45.13	44.5	29.53	3175
mm	300	1130	1146	1130	750	1440
in	14	49.5	50.25	49.5	33.46	3847
mm	350	1257	1276	1257	850	1745
in	16	54.5	55.38	54.5	37.59	5511.5
mm	400	1384	1406	1384	955	2500



SERIES CK

- ◆ Sizes 2 – 30" Cast Steel Check Design
- ◆ Full Port; Swing Check, API 6D Design
- ◆ NACE MR0175 Compliant
- ◆ B16.10, B16.5, B16.34 Compliant
- ◆ Bolted Bonnet Design

Series	Class	Body	Trim	Ends	Options	Size
CK	15 - 150	1 - A216	5 - Hardfaced & Stellite	1- RF - Raised Face	X - Special	2" - 30"
	30 - 300	Carbon Steel WCB	8 - 410 & Hardfaced	2 - RTJ - Ring Type Joint		
	60 - 600	3 - CF8M	10 - 316 SS			
	90 - 900	316 Stainless Steel	12 - 316 & Hardfaced	3 - BW - Butt Weld		
	51 - 1500	X - Special	X - Special			
	25 - 2500					

CK	60	1	8	1	-	02
Series	Class	Body	Trim	Ends	Options	Size

Description:

Class 600 Raised Face Flanged End API 6D design Full port Swing Check Valve, A216-WCB Body, with Trim #8, NACE MRO175 Compliant

PLEASE NOTE: There may be some performance variations between the GVC Series CK and other manufacturer's comparable body designs. To ensure the longevity of performance, please provide specific information relevant to the requirements needed for each application process.



8535 Jackrabbit Rd., Ste i
Houston, TX 77095
866.965.8GVC (482)
281.463.1474 office
281.463.7735 fax
www.GVCINTL.com