



GLOBAL VALVE
& CONTROLS

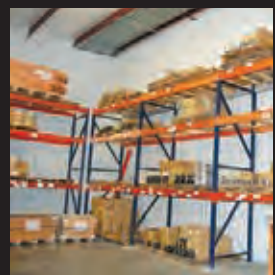


SERIES GVD-20

TWO-PIECE DIRECT MOUNT BALL VALVE

Full Port ■ Direct Mounting Pad
2000psi ■ High Performance Design

SERIES GVD-20



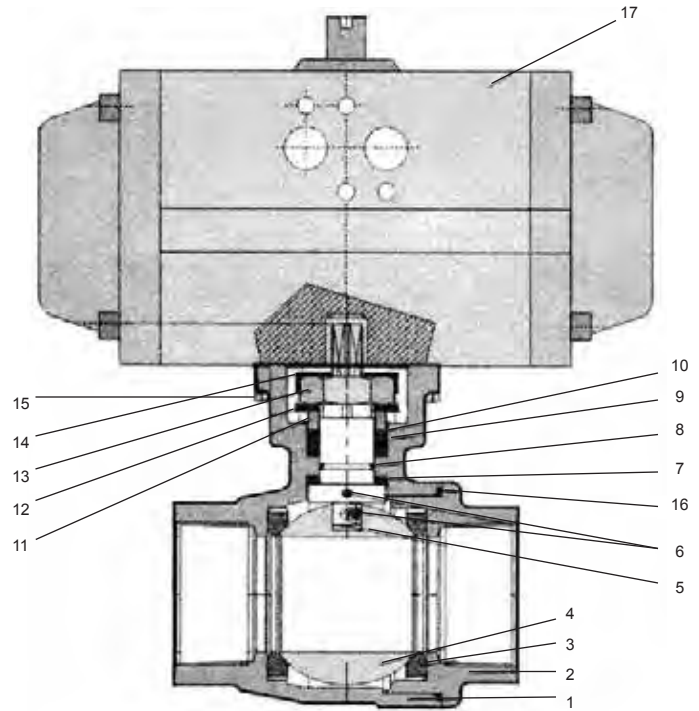
Providing Hundreds of Products. Supporting Thousands of Clients. Controlling Millions of Gallons.

Depend On Us, We Can Handle The Pressure.



MATERIALS OF CONSTRUCTION

SERIES GVD-20



NO.	PART NAME	MATERIALS
1	Body	CF8M CF8 WCB
2	End Cap	CF8M CF8 WCB
3	Ball Seat	TFM, NOVA, PEEK
4	Ball	CF8M CF8
5	Stem	SUS 316 SUS 304
6	Anti-Static Device	SUS 316 SUS 304
7	Thrust Washer	PTFE
8	O-Ring	FKM (VITON)
9	V-Ring Packing	PTFE/Grafoil/TFM/NOVA/PEEK
10	Bushing	50% SS + 50% PTFE
11	Gland	SUS 316
12	Belleville Washer	SUS 301
13	Stem Nut	A194-8
14	Stop-Locking-Cap	SUS 304
15	Hex Bolting	A193-B8
16	Body Gasket	PTFE/Grafoil/TFM/NOVA/PEEK
17	Actuator	Pneumatic EVC

ENGINEERING DATA

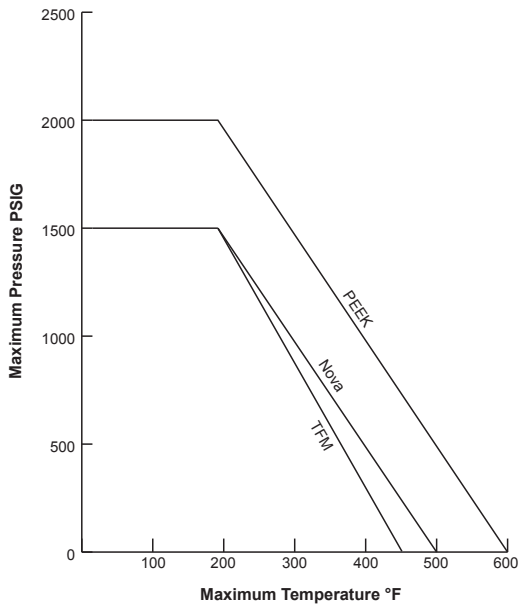
SERIES GVD-20



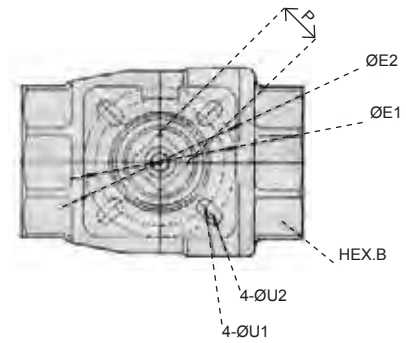
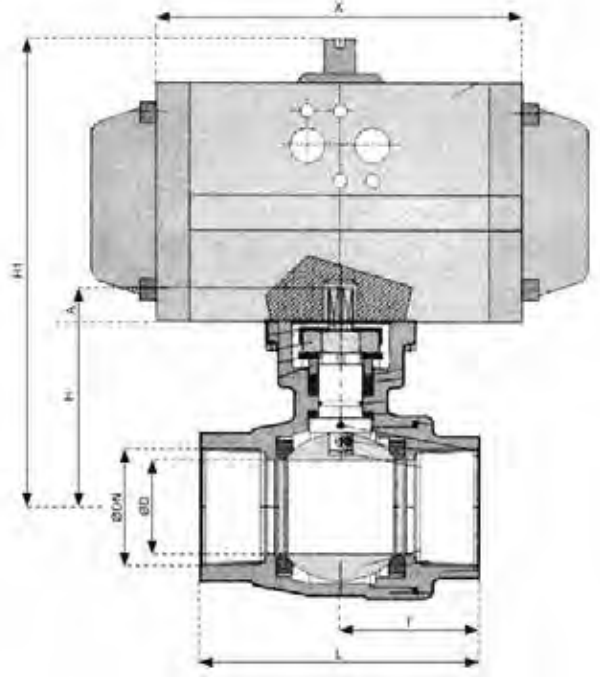
Performance Data

Valve Size	Flow Coeff. Cv	Approx. Weight
1/4"	38	1.30
3/8"	38	1.30
1/2"	38	1.30
3/4"	71	1.50
1"	110	2.90
1-1/4"	230	4.60
1-1/2"	350	5.75
2"	600	9.00

Pressure-Temperature Data



Note: These temperature ratings are for the valves only. High temperature actuation may require special actuators.



Units in mm

SIZE	Ød	L	H	H1	ØE1	ØE2	T	ØU1	ØU2	A	P	HEX.B	X	Y	ISO 5211	P-Actuator	Pressure
1/4"	10.6	64.0	42.0	139	36	42	32.0	6	6	9	9	27	144	72	F03-F04	EVC 50	80PSI
3/8"	12.7	64.0	42.0	139	36	42	32.0	6	6	9	9	27	144	72	F03-F04	EVC 50	80PSI
1/2"	15.0	64.0	42.0	139	36	42	32.0	6	6	9	9	27	144	72	F03-F04	EVC 50	80PSI
3/4"	20.0	70.4	49.0	176	36	50	35.2	6	7	9	9	32	144	72	F03-F05	EVC 50	80PSI
1"	25.0	85.0	58.0	168	42	50	42.5	6	7	11	11	41	208	96	F04-F05	EVC 63	80PSI
1-1/4"	32.0	94.0	63.0	173	42	70	47.0	6	9	11	11	50	208	96	F04-F07	EVC 63	80PSI
1-1/2"	38.0	105.0	71.0	199	50	70	52.5	7	9	14	14	56	248	108	F05-F07	EVC 75	80PSI
2"	50.0	125.0	78.0	206	50	70	62.5	7	9	14	14	70	248	108	F05-F07	EVC 75	80PSI
2-1/2"	63.5	155.0	101.5	244	70	102	77.5	9	11	17	17	83	268	123	F07-F10	EVC 88	80PSI
3"	76.0	173.0	109.0	263	70	102	86.5	9	11	17	17	102	268	151	F07-F10	EVC 100	80PSI

FEATURES & OPTIONS

- Global direct mounting pad and square stem for easy automation
- 2000psi full port with optional seal weld design
- Anti-static devices for ball stem body
- Blow-out proof stem
- Pressure balance hole in ball slot
- Pre-load 2 Belleville washers to self-adjust packing
- TA-LUFT design approved
- Designs: ASME B16.34, API 608
- Wall Thickness: EN 12516-3
- Pipe Thread: ASME B1.20.0, BS21, DIN 2999/259, ISO 228/1, JIS B0203, ISO 7/1
- Inspection & Testing: API 598, EN 12266

ORDERING INFORMATION

Size	Series	Body	Trim	Seats	Seals	Ends	Options			
1/4"	GVD-20	1 - Carbon Steel	3 - Stainless Steel	H - TFM	H - TFM	TE- Threaded Ends	1 - Actuator			
1/2"			3 - Stainless Steel	N - NOVA	N - NOVA		2 - Limit Switch			
3/4"		X - Special	P - PEEK	G - Grafoil	T - Teflon		3 - Positioner			
1"							X - Special	P - PEEK	P - PEEK	4 - Seal Weld
1-1/4"										
1-1/2"										
2"										

- 2"GVD2033HHTE

PLEASE NOTE: *There may be some performance variations between the GVC GVD-20 and other manufacturer's comparable body designs. To ensure the longevity of performance, please provide specific information relevant to the requirements needed for each application process.*



Office Local 281.463.1474
 Fax Numbers 866.964.8536 ▪ 281.463.7735

8535 Jackrabbit Rd., Ste 1
 Houston, Texas 77095

www.GlobalValveandControls.com
 866.965.8GVC (482)

