

Forged Steel Gate Valve

A105 • Alloy 20 • 316SS • 304SS • Monel • Various other Alloys

ANSI 150-300-600-800-1500 (1/2" - 4")



SERIES GF-3



**GLOBAL VALVE
& CONTROLS**



Providing Hundreds of Products. Supporting Thousands of Clients. Controlling Millions of Gallons.

DEPEND ON US. WE CAN HANDLE THE PRESSURE.



SERIES G



GF-3



SERIESCK



GLF-4



SERIESGL



CKF-2



NVG6000



NV10000



™



20-RP



20-FP

GLOBAL VALVE & CONTROLS



SERIES SBG



SERIES EXPG



SERIES FS



BV2000



SERIES 2T/3T



BV3600



BV6000



CFS



SERIES 30

BV3705



YFS w/ MCB



FS525



SERIES 790



SERIES 10



SERIES 800



SERIES FSD-61

Discover the difference!



Series GF-3


- ◆ Sizes 1/2" - 4"
- ◆ ANSI Class 150-1500
- ◆ Forged Steel Gate Valve, Conventional Port or Full Port
- ◆ Socket Weld, Threaded, Raised Face or Ring Type Joint (RTJ)
- ◆ Bolted or Welded Bonnet
- ◆ NACE MR0175 Compliant
- ◆ B16.10, B16.34, B16.5, B 1.20.1, B16.11 Compliant
- ◆ API 602 Design and API 598 Tested
- ◆ Available in A105N, F316, F304, F11, F22, LF2, Alloy 20, Monel and Other Materials.



GLOBAL Valve & Controls®  is an ISO 9001 certified and API 6D, Q1 licensed valve manufacturer of Domestic and Non Domestic products. Offering Ball, Globe, Gate, Expanding Gate, Slab Gate, Check, and Needle Valves; Actuators and Automation Accessories.

 accommodates & services the Upstream, Midstream & Down-stream market segments of the oil/gas industry, with a primary focus on Natural Gas Transport and Storage Projects, as well as, the Petrochemical, Agricultural, Mining, Water/ Waste Management, and Aerospace Industrial Sectors.

GLOBAL Valve & Controls® has the right valve for the right application, ranging from ANSI 150 through 2500, sizes 1/4 to 48", in Stainless Steel, Carbon Steel, Alloy 20, Monel, Duplex, and other various exotic body materials.

 also carries fully automated valve packages, fugitive emission solutions, control packages, cryogenic valves, as well as, various valve coating solutions. Special Ordering is available!

GLOBAL Valve & Controls® continues to make strides in elevating our company beyond industry standards, by being consistent in providing products that are of superior quality and performance, dedicating ourselves to quality assurance, and being immediately responsive to our customer needs. We look forward to the opportunity to supply your valve needs!

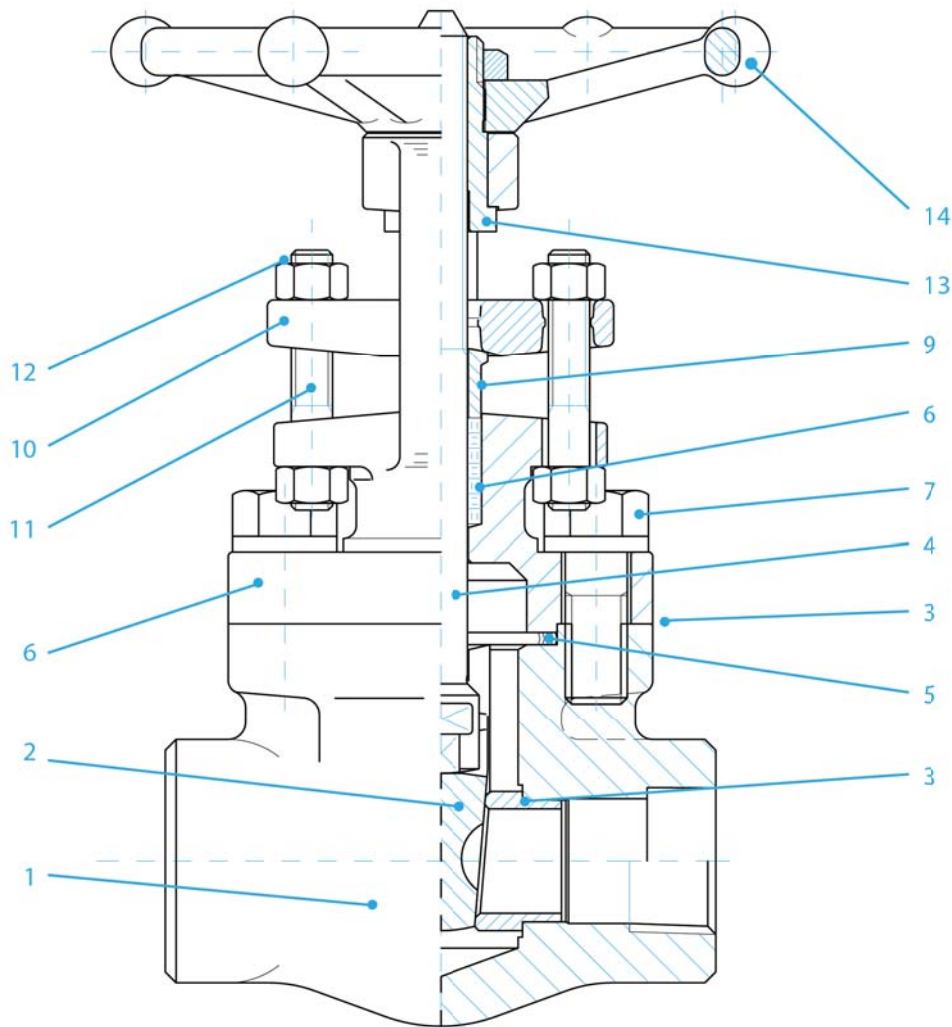
Sincerely

Troy Richard
CEO at GLOBAL Valve
& Controls



MATERIALS OF CONSTRUCTION

SERIES GF-3/ F3



Bill of Materials

NO.	PART NAME	MATERIAL					
		ASTM A105	A182 F304	A182 F316	A350-LF2	F11	F22
1	Body	ASTM A105	A182 F304	A182 F316	A350-LF2	F11	F22
2	Wedge	API TRIM 1,2,5,8,9,10,11,12,13,14,15,16,18					
3	Seat Ring	API TRIM 1,2,5,8,9,10,11,12,13,14,15,16,18					
4	Stem	API TRIM 1,2,5,8,9,10,11,12,13,14,15,16,18					
5	Gasket	Graphite+304			Graphite+316		
6	Bonnet	ASTM A105	A182 F304	A182 F316	A350-LF2	F11	F22
7	Bonnet Bolt	ASTM A193 B7M		ASTM A193 B8M	ASTM A320 L7M		
8	Stem Packing	Reinforced Graphite					
9	Gland	ASTM A276 410	A182 F304	A182 F316	A350-LF2	F11	F22
10	Gland Flange	ASTM A105	A182 F304	A182 F316	A350-LF2	F11	F22
11	Gland Eyebolt	ASTM A193 B7M		ASTM A193 B8M	ASTM A320 L7M		
12	Gland Nut	ASTM A194 2HM		ASTM A194 8M	ASTM A320 7M		
13	Stem Nut	ASTM A276 410			ZcuA110Fe3		
14	Handwheel	ASTM A197					

Other materials are available upon request

Design Standards

MANUFACTURING & TESTING STANDARDS	
Face to Face	ASME B16.10
Temperature/Pressure Rating	ASME B16.34
End Flanges	ASME B16.5
Thread Ends	ASME B1.20.1
Socket Weld Ends	ASME B16.11
Inspection and Test	API 598
Base Design	API 602
NACE	MR0175

Due to the ongoing development of our product line, Global Valve & Controls reserves the right to change the dimensions contained in the leaflet, as required.

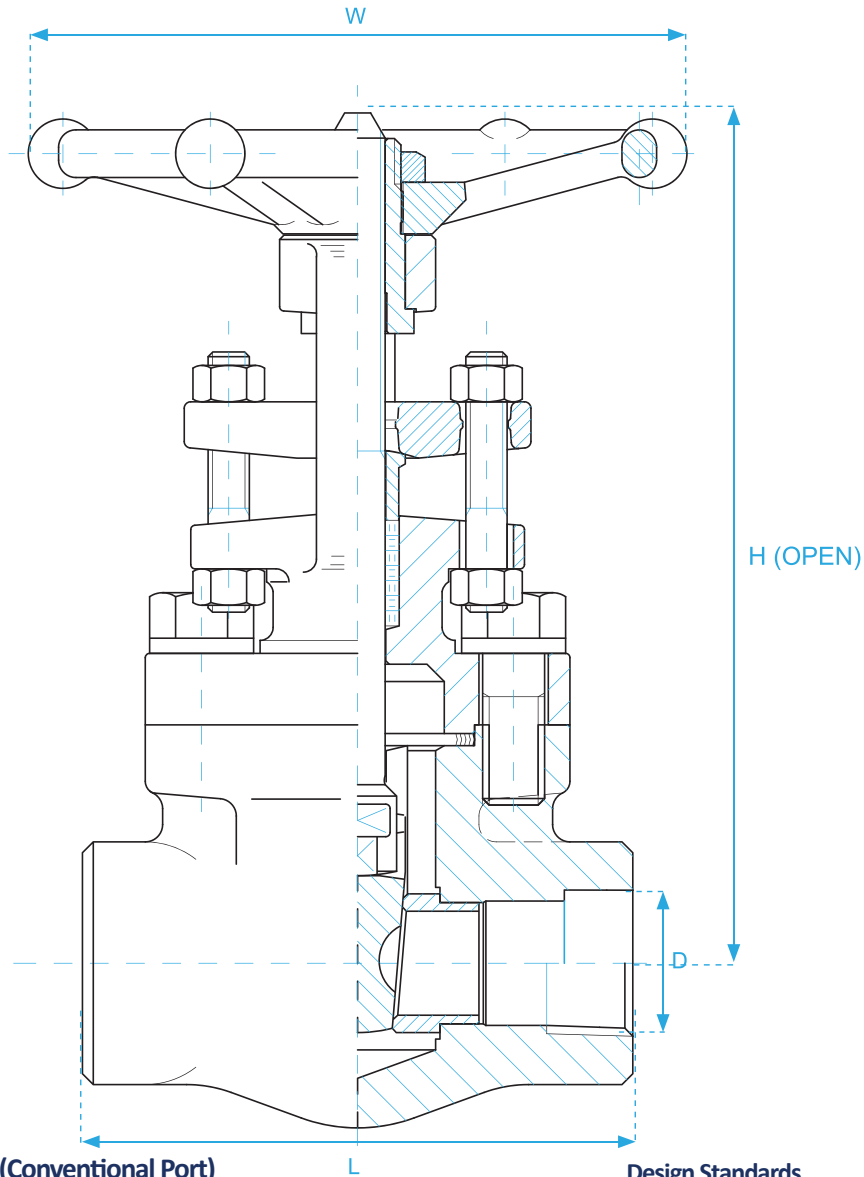
Series GF-3

JUNE 2015 REV. 0



MATERIALS AND ENGINEERING DATA

SERIES GF-3/ F3



Dimension Chart (Conventional Port)

Units	Size	Valve Bore (Conventional Port)		L		H		W		D Socket Bore	
		800	1500	800	1500	800	1500	800	1500	800	1500
in	1/4	0.25	0.25	3.13	4.00	5.31	7.75	2.50	3.50	0.555	
mm	8	6	6	80	102	135	197	64	89	14.1	
in	3/8	0.25	0.35	3.13	4.00	5.31	7.75	2.50	3.50	0.690	
mm	10	6	9	80	102	135	197	64	89	17.5	
in	1/2	0.38	0.50	3.13	4.00	5.31	7.75	2.50	3.50	0.855	
mm	15	10	13	80	102	135	197	64	89	21.7	
in	3/4	0.50		3.25	5.00	6.75	7.88	3.50	3.50	1.065	
mm	20	13		83	127	171	200	89	89	27.1	
in	1	0.69		3.50	6.00	7.38	9.63	3.50	5.00	1.330	
mm	25	18		89	152	188	244	89	127	33.8	
in	1 1/4	1.25		5.00	7.00	9.12	10.63	4.75	6.00	1.675	
mm	32	32		127	178	232	270	121	152	42.5	
in	1 1/2	1.25		5.00	7.00	9.12	10.63	4.75	6.00	1.915	
mm	40	32		127	178	232	270	121	152	48.6	
in	2	1.50		5.25	9.00	10.40	12.30	6.00	10.00	2.406	
mm	50	38		133	229	264	312	152	254	61.1	

*Please contact GVC for additional sizes & port configurations

Design Standards

MANUFACTURING & TESTING STANDARDS	
Face to Face	ASME B16.10
Temperature/Pressure Rating	ASME B16.34
End Flanges	ASME B16.5
Thread Ends	ASME B1.20.1
Socket Weld Ends	ASME B16.11
Inspection and Test	API 598
Base Design	API 602
NACE	MR0175



HOW TO ORDER

SERIES GF-3/ F3



SERIES GF-3

- ◆ Sizes 1/2"– 4" Forged Steel Gate Valve
- ◆ Full or Conventional Port
- ◆ NACE MR0175 Compliant
- ◆ API 602 Design and API 598 Tested, Bolted or Welded Bonnet
- ◆ Cryogenic Stem Option

Series	Body	Trim	Pressure Rating	Ends	Design	Options	Size
F3	1 - A105	1 - 410	15 - 150	1 - Raised Face	X - Full Port	XX - Special	1/2" - 4"
Bolted Bonnet	2 - Alloy 20	2 - 304					
	2 - Alloy 20	5 - FHF/410	30 - 300	2 - Ring Type Joint			
WBF3		8 - HF/410					
Welded Bonnet	3 - 316SS	9 - Monel	60 - 600	3 - Socket Weld			
		10 - 316					
PSF3	4 - 304SS	11 - HF/Monel	80 - 800	4 - Threaded Ends			
Pressure		12 - HF/316					
Seal Bonnet	5 - Monel	13 - Alloy 20	51 - 1500	5 - SWxThrd			
	X - Special	14 - HF/A20					
		15 - FHF/304					
		16 - FHF/316					
		18 - FHF/A20					
		X - Special					

F3	1	8	51	3	X	-.50	
Series	Body	Trim	Pressure Rating	Ends	Design	Options	Size

Description:

1/2" Class 1500, threaded by socket weld ends, Designed in accordance to API 602, FULL PORT design, Firesafe, NACE compliant, OS&Y bolted bonnet design, FORGED GATE VALVE, A105 forged carbon steel body with Trim #8

PLEASE NOTE: There may be some performance variations between the GVC Series GF-3/ F3 and other manufacturer's comparable body designs. To ensure the longevity of performance, please provide specific information relevant to the requirements needed for each application process.



8535 Jackrabbit Rd., Ste i
Houston, TX 77095
866.965.8GVC (482)
281.463.1474 office
281.463.7735 fax
www.GVCINTL.com

Please contact our sales representatives to receive more information regarding your systems particular needs.

Due to the ongoing development of our product line, Global Valve & Controls reserves the right to change the dimensions contained in the leaflet, as required.