



GLOBAL VALVE
& CONTROLS



SERIES FSD-525

HIGH PERFORMANCE DIRECT MOUNTED 3 PIECE FIRE SAFE FULL PORT BALL VALVE

Carbon Steel ▪ 316SS ▪ Alloy 20 ▪ Hastelloy C

SERIES FSD-525



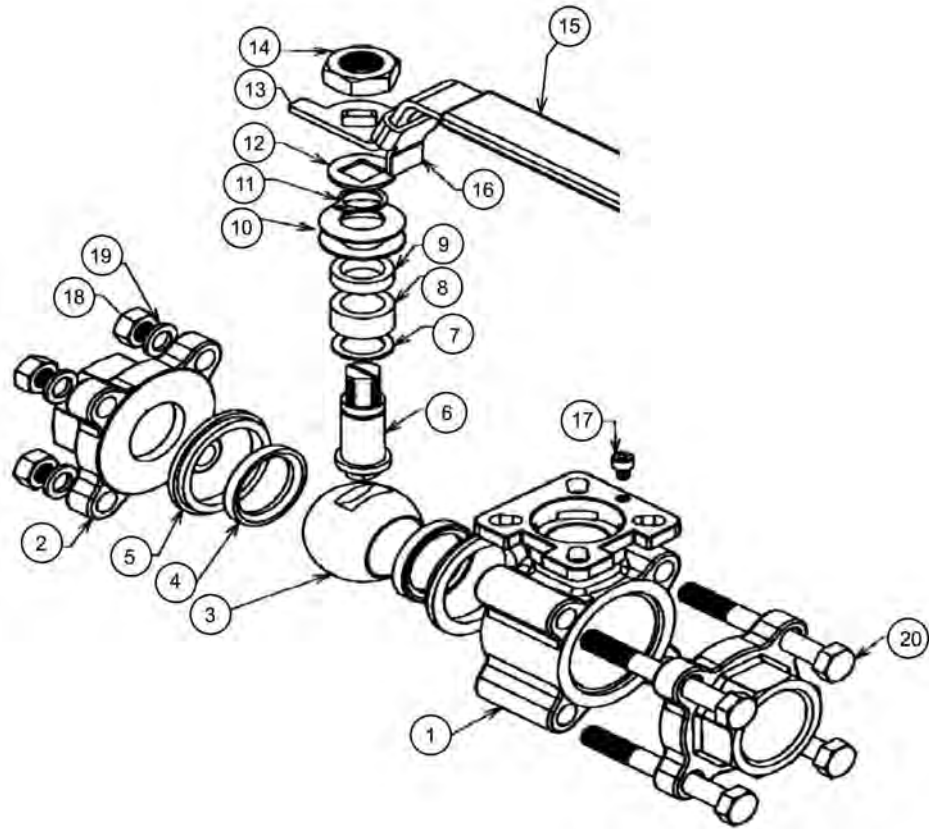
Providing Hundreds of Products. Supporting Thousands of Clients. Controlling Millions of Gallons.

Depend On Us, We Can Handle The Pressure.



MATERIALS OF CONSTRUCTION

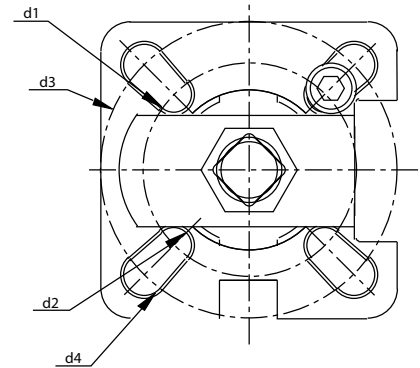
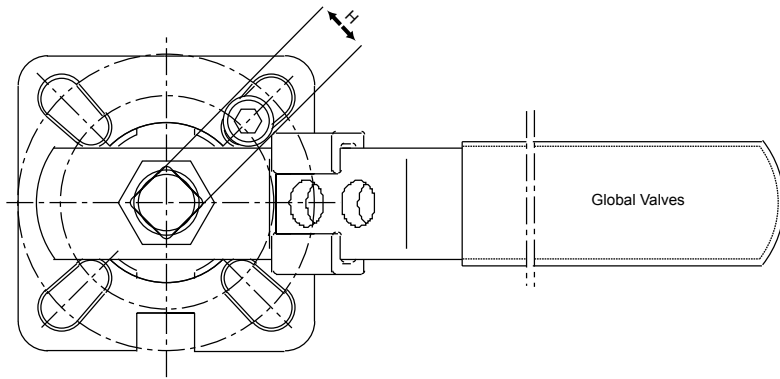
SERIES FSD-525



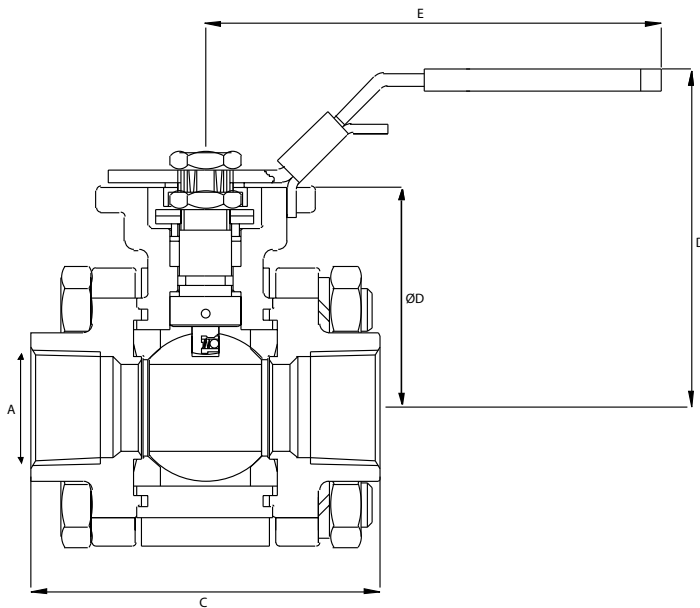
NO.	PART NAME	MATERIAL
1	Body	316SS, WCB, CN7M, HC
2	End Cap	316SS, WCB, CN7M, HC
3	Ball	316SS, Monel, Alloy 20, HC
4	Seat	RF Teflon, Nova, UHMWPE, Peek, TFM, Derlin
5	Body Gasket	RF Teflon, Nova, UHMWPE, TFM, Derlin, Grafoil, TFE
6	Stem	316SS, Monel, Alloy 20, HC
7	Thrust Washer	RF Teflon, Peek, Nova
8	Stem Packing	RF Teflon, Nova, UHMWPE, Peek, TFM, Derlin, Grafoil
9	Gland Nut	304 Stainless Steel
10	Belleville Washer	301 Stainless Steel
11	C-Ring	304 Stainless Steel
12	Stem Washer	304 Stainless Steel
13	Handle	304 Stainless Steel
14	Stem Nut	304 Stainless Steel
15	Handle Cover	Plastic
16	Locking Device	304 Stainless Steel
17	Stop Pin	304 Stainless Steel
18	Body Nut	304 Stainless Steel, 2H, Alloy 20
19	Bolt Washer	304 Stainless Steel
20	Body Bolt	B8, B7, Alloy 20

ENGINEERING DATA

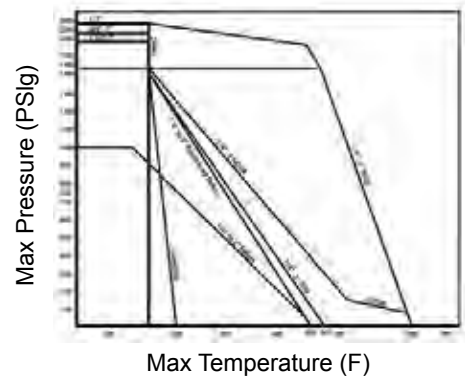
SERIES FSD-525

Test Pressure to API 598	
Shell Test (Water)	3000 PSI
Seat Test (Water)	2200 PSI
Seat Test (Air)	85 PSI



Pressure Temperature Chart



Size	A	C	D	ØD	E	H	d1	d2	d3	d4
1/4"	10.6	75.0	83.0	43.0	145.0	9.0	36.0	6.0	42.0	6.0
3/8"	12.7	75.0	83.0	43.0	145.0	9.0	36.0	6.0	42.0	6.0
1/2"	15.0	75.0	83.0	43.0	145.0	9.0	36.0	6.0	42.0	6.0
3/4"	20.0	80.0	77.0	43.0	145.0	9.0	36.0	6.0	50.0	7.0
1"	25.0	90.0	87.5	50.0	175.0	11.0	42.0	6.0	50.0	7.0
1-1/4"	32.0	110.0	103.0	58.0	175.0	11.0	42.0	6.0	70.0	9.0
1-1/2"	38.0	122.0	106.0	63.0	200.0	14.0	50.0	7.0	70.0	9.0
2"	50.0	140.0	117.0	74.5	200.0	14.0	70.0	7.0	70.0	9.0

Units in mm

Size	Estimated CV Factor	Estimated Weight
1/4"	13	2.10
3/8"	24	2.10
1/2"	35	2.96
3/4"	63	3.50
1"	93	4.25
1-1/4"	149	6.72
1-1/2"	223	8.82
2"	478	14.32

FEATURES & OPTIONS

- Fire tested to API 607 4th edition
- Direct mounting pad for easy automation without bracket and coupler assembly
- 3-piece swing-out design allows for inline repair without disrupting piping
- Interchange connector ends for maximum versatility
- Bottom entry live loaded stem automatically adjusts with pressure and temperature changes
- High cycle stem packing such as NOVA with PEEK thrust washers are available and significantly increase MTBF
- Fully encapsulated body seals prevent seal rupture in steam or high pressure services
- OSHA compliant locking handle standard
- Self-cleaning, leak-tight slotted seat design
- Wide choice of seat options
- Variety of end combinations
- Floating ball design with anti-static device
- Encapsulated body bolt design protect valve body bolting from hostile environments
- Traceability in the form of heat numbers and CMTRs are available

ORDERING INFORMATION

Size	Series	Body	Trim	Seats	Seals	Ends	Options
1/2"	FSD-525	1 - Carbon Steel	1 - Carbon Steel	D - Delrin	H - TFM	BW - Butt Weld	OH - Oval Handle
3/4"		2 - Alloy 20	2 - Alloy 20	H - TFM	N - Nova	FL - Flanged	MCB - Media Containment
1"		3 - 316SS	3 - 316SS	N - Nova	P - PEEK	SW - Socket Weld	Bonnet
1-1/4"		5 - Hastelloy C	5 - Hastelloy C	P - PEEK	R - Reinforced Teflon	TC - TriClamp	SE - Stem Extension
1-1/2"		X - Special	X - Special	R - Reinforced Teflon	T - Teflon	TE - Threaded Ends	FBT - Flush Bottom Tank
2"				T - Teflon	U - UHMWPE		
			U - UHMWPE	V - Viton			
				G - Grafoil			

• 2" FSD52533RRTEFBT

PLEASE NOTE: There may be some performance variations between the GVC FSD-525 and other manufacturer's comparable body designs. To ensure the longevity of performance, please provide specific information relevant to the requirements needed for each application process.



Office Local 281.463.1474
 Fax Numbers 866.964.8536 • 281.463.7735

8535 Jackrabbit Rd., Ste 1
 Houston, Texas 77095

www.GlobalValveandControls.com
 866.965.8GVC (482)

