

Firesafe/ NACE Ball Valve  
Carbon Steel ■ Various other Alloys  
3705 PSI (1/4" - 2")



**GLOBAL VALVE  
& CONTROLS**



**SERIES BV3705**

Providing Hundreds of Products. Supporting Thousands of Clients. Controlling Millions of Gallons.

**DEPEND ON US. WE CAN HANDLE THE PRESSURE.**





SERIES G



GF-3



SERIESCK



GLF-4



SERIESGL



CKF-2



NVG6000



NV10000



™



20-RP



20-FP

GLOBAL VALVE & CONTROLS



SERIES SBG



SERIES EXPG



SERIES FS



BV2000



SERIES 2T/3T



BV3600



BV6000



CFS



SERIES 30



BV3705



YFS w/ MCB



FS525



SERIES 790



SERIES 10



SERIES 800



SERIES FSD-61

# Discover the difference!



## Series BV3705


- ◆ Sizes 1/4" - 1 1/2" in Full Port
- ◆ Sizes 2" in Regular Port
- ◆ 3705 W.O.G. (PSI)
- ◆ 2-Piece Body Design
- ◆ Threaded End Connections to ASME B1.20.1 (NPT)
- ◆ Carbon Steel
- ◆ NACE MR0175 Compliant
- ◆ Fire Safe Design
- ◆ Locking SS handle
- ◆ High-Quality Investment Casting
- ◆ ISO 5211 Actuator Mounting Pad
- ◆ Seal Weld Option



**GLOBAL Valve & Controls®**  is an **ISO 9001** certified and **API 6D, Q1** licensed valve manufacturer of Domestic and Non Domestic products. Offering Ball, Globe, Gate, Expanding Gate, Slab Gate, Check, and Needle Valves; Actuators and Automation Accessories.

 accommodates & services the Upstream, Midstream & Down-stream market segments of the oil/gas industry, with a primary focus on Natural Gas Transport and Storage Projects, as well as, the Petrochemical, Agricultural, Mining, Water/ Waste Management, and Aerospace Industrial Sectors.

**GLOBAL Valve & Controls®** has the right valve for the right application, ranging from ANSI 150 through 2500, sizes 1/4 to 48", in Stainless Steel, Carbon Steel, Alloy 20, Monel, Duplex, and other various exotic body materials.

 also carries fully automated valve packages, fugitive emission solutions, control packages, cryogenic valves, as well as, various valve coating solutions. Special Ordering is available!

**GLOBAL Valve & Controls®** continues to make strides in elevating our company beyond industry standards, by being consistent in providing products that are of superior quality and performance, dedicating ourselves to quality assurance, and being immediately responsive to our customer needs. We look forward to the opportunity to supply your valve needs!

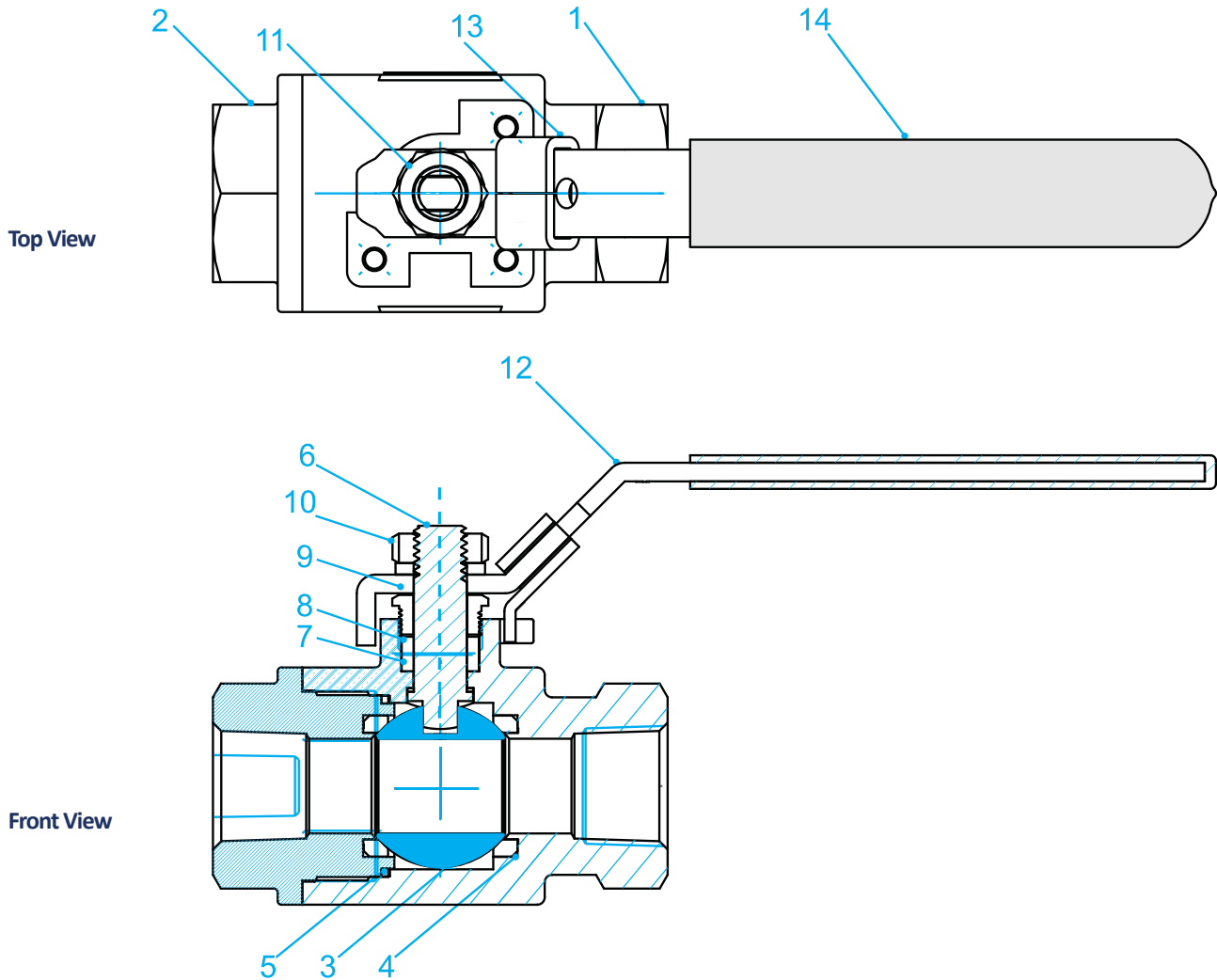
Sincerely  


**Troy Richard**  
 CEO at GLOBAL Valve & Controls



# MATERIALS OF CONSTRUCTION

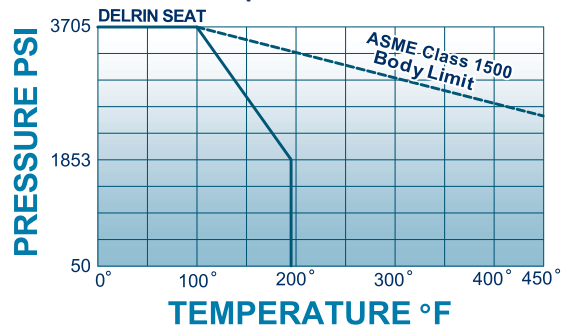
## SERIES BV3705



### Bill of Materials

NO.	PART'S NAME	MATERIAL
1	BODY	WCB
2	CAP	WCB
3	BALL	F316
4	BALL SEAT	DELTRIN / PEEK
5	JOINT GASKET	GRAPHITE
6	STEM	SS 316 / 17-4PH
7	THRUST WASHER	DELTRIN
8	STEM PACKING	GRAPHITE
9	GLAND NUT	SS 304
10	SPRING WASHER	SS 304
11	STEM NUT	SS 304
12	HANDLE	SS 304
13	LOCKING DEVICE	SS 304
14	HANDLE COVER	PLASTIC

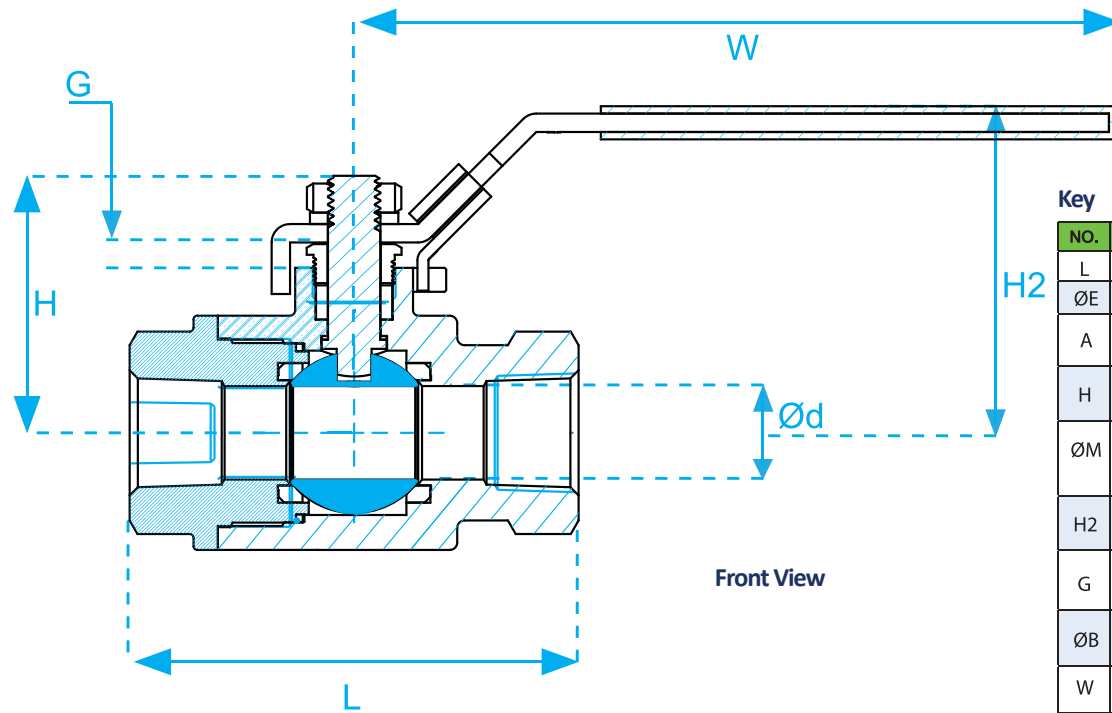
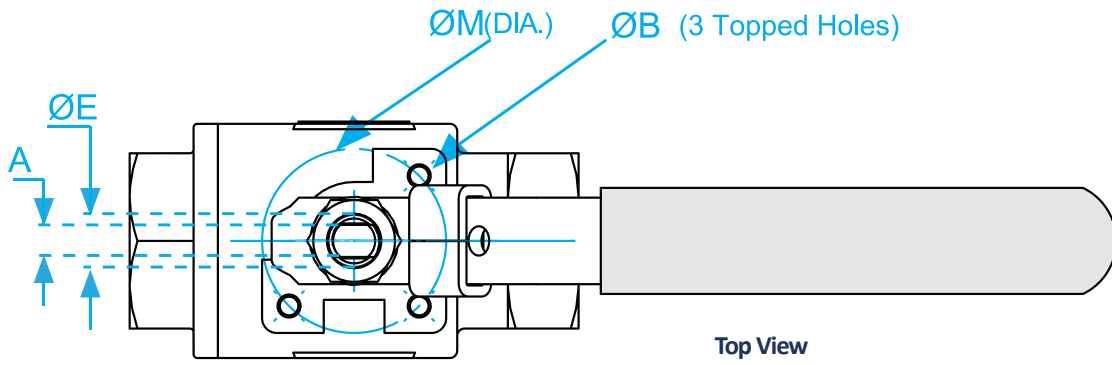
### Pressure Temperature Chart



### Design Standards

MANUFACTURING & TESTING STANDARDS	
Thread Ends	ASME B 1.20.1
Socket Weld Ends	ASME B16.11
Inspection and Test	API 598
Base Design	ASME B16.34
NACE	MR0175





### Key

NO.	PART NAME
L	LENGTH (END TO END)
ØE	STEM DIAMETER
A	DISTANCE FROM FLAT TO FLAT ON STEM
H	HEIGHT (CENTER OF BORE TO TOP OF VALVE)
ØM	DIAMETER THAT MOUNTING PAD BOLTHOLES ARE CENTERED ON
H2	HEIGHT (CENTER OF BORE TO TOP OF HANDWHEEL)
G	HEIGHT (CENTER OF BORE TO TOP OF STEM INDICATOR)
ØB	DIAMETER OF BOLTHOLES ON MOUNTING PAD
W	DIAMETER OF HANDWHEEL/ LENGTH OF LEVER
Ød	DIAMETER OF BORE

### Dimension Chart

UNIT	SIZE	Ød	L	H2	W	H	G	A	ØE	ØM	ØB	ISO 5211	WEIGHT (KGS)	Cv	MAX. TOUQUE
in	1/4" FP	0.25	3.00	2.22	5.00	1.64	0.18	0.195	0.311	1.417	1/4-20UNC	F03	0.634	10	75 in-lb
mm	6.3 FP	8	76.2	56.3	127	41.6	4.57	4.95	7.89	35.9		F03	16.1		
in	3/8" FP	0.38	3.00	2.22	5.00	1.64	0.18	0.195	0.311	1.417		F03	0.634	10	
mm	9.5 FP	10	76.2	56.3	127	41.6	4.57	4.95	7.89	35.9		F03	16.1		
in	1/2" FP	0.50	4.00	2.22	5.00	1.64	0.18	0.195	0.311	1.417		F03	0.737	16	
mm	12.7FP	15	101.6	56.3	127	41.6	4.57	4.95	7.89	35.9		F03	18.7		
in	3/4" FP	0.75	4.30	2.89	5.83	2.13	0.21	0.274	0.436	1.654	F04	1.301	32	120 in-lb	
mm	19 FP	20	109.2	73.4	148	54.1	5.33	6.95	11	42	F04	33			
in	1" FP	1.00	4.80	3.50	8.19	2.81	0.28	0.374	0.559	1.969	F05	2.122	62	400 in-lb	
mm	25.4 FP	25	121.9	88.9	208	71.3	7.11	9.49	14.1	50	F05	53.8			
in	1-1/2" FP	1.50	5.30	4.34	10.16	3.85	0.34	0.392	0.623	2.756	5/16-18UNC	F07	4.59	140	750 in-lb
mm	38.1 FP	40	134.6	110.2	258	97.7	8.63	9.95	15.8	70		F07	116.5		
in	2" RP	1.50	6.30	4.34	10.16	3.85	0.34	0.392	0.623	2.756		F07	5.633		
mm	50.8 RP	50	160	110.2	258	97.7	8.63	9.95	15.8	70	F07	143			



# HOW TO ORDER

## SERIES BV3705



## SERIES BV3705

- ◆ 3705 W.O.G. (PSI) Rated
- ◆ 2-Piece Design
- ◆ ¼" – 1 ½" Full Port, 2" Reduced Port
- ◆ NACE MR0175 Compliant
- ◆ Fire-Safe Design, ISO 5211 Mounting Pad

Series	Body	Trim	Seats	Seals	Ends	Operator	Options	Size
BV3705	1 - Carbon Steel	3 - 316SS	D - DELRIN	G - Grafoil	TE - Threaded Ends	L - Lever Handle	X - Special	1/4"
		X - Special	P - PEEK					3/8"
	X - Special		H - TFM					1/2"
								3/4"
								1"
								1 1/2"
								2"

<b>BV3705</b>	<b>1</b>	<b>3</b>	<b>D</b>	<b>G</b>	<b>TE</b>	<b>-.50</b>
Series	Body	Trim	Seats	Seals	Ends	Options

### Description:

½" 3705 PSI Rated, 2 Piece Design, Full Port, Threaded End Ball Valve, Carbon Steel Body, F316 Stainless Steel Trim, TFM Seats, Graphite Seals & Stem Packing, Blowout Proof Stem Design, ISO 5211 Mounting Pad, with Handle and Locking Device. Designed in Accordance to ASME B16.34, NACE MR0175, firesafe design, and Tested to API 598.

**PLEASE NOTE:** There may be some performance variations between the GVC Series BV3705 and other manufacturer's comparable body designs. To ensure the longevity of performance, please provide specific information relevant to the requirements needed for each application process.



8535 Jackrabbit Rd., Ste i  
Houston, TX 77095  
866.965.8GVC (482)  
281.463.1474 office  
281.463.7735 fax  
[www.GVCINTL.com](http://www.GVCINTL.com)

Please contact our sales representatives to receive more information regarding your systems particular needs.

Due to the ongoing development of our product line, Global Valve & Controls reserves the right to change the dimensions contained in the leaflet, as required.