

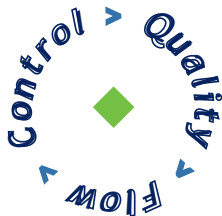
Flanged Full Port and Reduced Port Ball Valve
WCB • CF8M • Alloy20 • LCC • Various other Alloys
ANSI 150-300 (2" - 12")



SERIES CFS



**GLOBAL VALVE
& CONTROLS**



Providing Hundreds of Products. Supporting Thousands of Clients. Controlling Millions of Gallons.

DEPEND ON US. WE CAN HANDLE THE PRESSURE.



SERIES G



GF-3



SERIESCK



GLF-4



SERIESGL



CKF-2



NVG6000



NV10000



GLOBAL VALVE & CONTROLS



20-RP



20-FP



SERIES SBG



SERIES EXPG



SERIES FS



BV2000



SERIES 2T/3T



BV3600



BV6000



CFS



SERIES 30

BV3705



YFS w/ MCB



FS525



SERIES 790



SERIES 10



SERIES 800



SERIES FSD-61

Discover the difference!



Series CFS


- ◆ Sizes 2" - 12" ANSI Class 150-300
- ◆ 2-Piece Body **Floating** Flanged Design, Full or Reduced Port
- ◆ Carbon, Stainless steel, Alloy 20, A352-LCC
- ◆ Raised Face and Ring Type Joint Ends (RTJ)
- ◆ Fully Encapsulated Body Seals
- ◆ Self-cleaning, Leak Tight Slotted Seat Design
- ◆ NACE MR0175 Approved
- ◆ Design and Tested to API 6D
- ◆ Fire Tested according to API 607 Standards
- ◆ Blowout Proof, Anti-Static Stem Design
- ◆ Floating Ball Design prevents Cavity Pressure Build-up while the Valve is open
- ◆ Wide Variety of Exotic Alloys for Body and Trim
- ◆ Wide Choice of Seat Material (TFM Standard)



GLOBAL Valve & Controls®  is an ISO 9001 certified and API 6D, Q1 licensed valve manufacturer of Domestic and Non Domestic products. Offering Ball, Globe, Gate, Expanding Gate, Slab Gate, Check, and Needle Valves; Actuators and Automation Accessories.

 accommodates & services the Upstream, Midstream & Down-stream market segments of the oil/gas industry, with a primary focus on Natural Gas Transport and Storage Projects, as well as, the Petrochemical, Agricultural, Mining, Water/ Waste Management, and Aerospace Industrial Sectors.

GLOBAL Valve & Controls® has the right valve for the right application, ranging from ANSI 150 through 2500, sizes 1/4 to 48", in Stainless Steel, Carbon Steel, Alloy 20, Monel, Duplex, and other various exotic body materials.

 also carries fully automated valve packages, fugitive emission solutions, control packages, cryogenic valves, as well as, various valve coating solutions. Special Ordering is available!

GLOBAL Valve & Controls® continues to make strides in elevating our company beyond industry standards, by being consistent in providing products that are of superior quality and performance, dedicating ourselves to quality assurance, and being immediately responsive to our customer needs. We look forward to the opportunity to supply your valve needs!

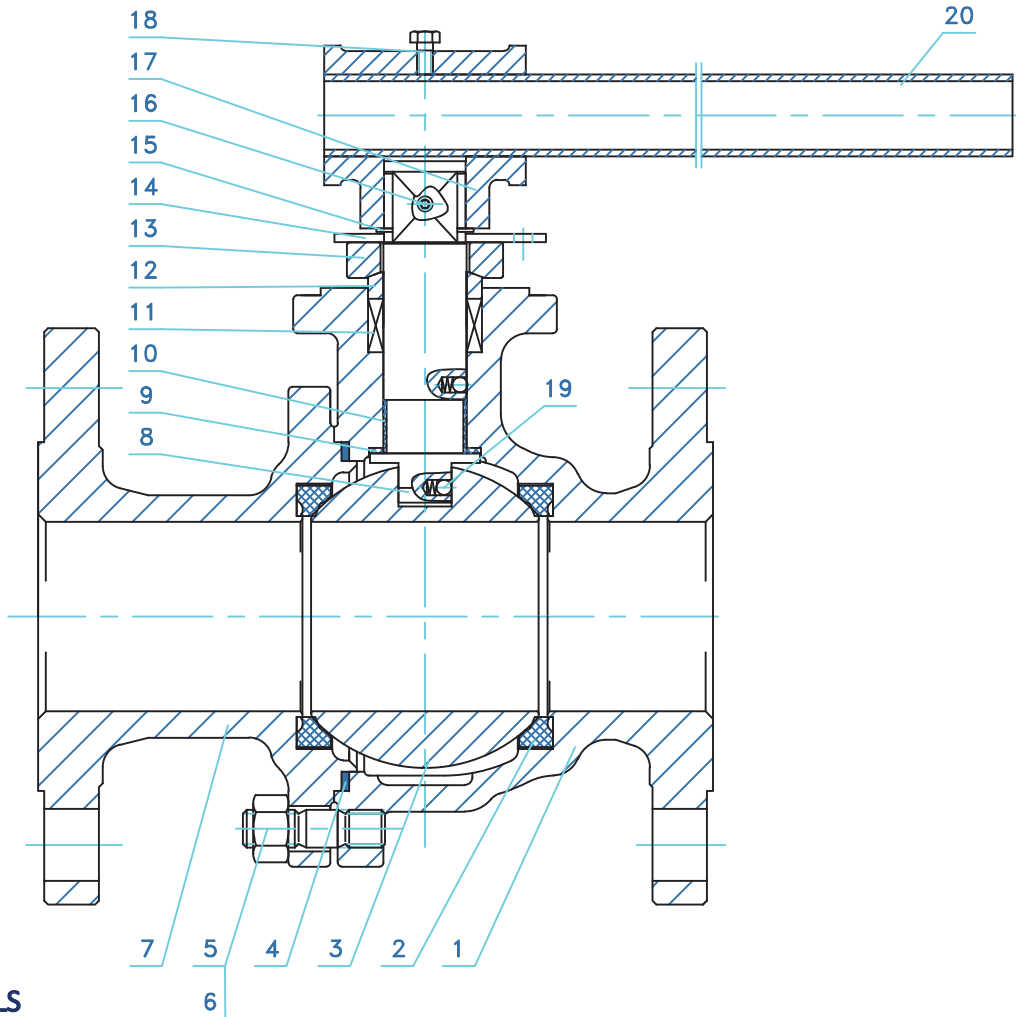
Sincerely

Troy Richard
CEO at GLOBAL Valve
& Controls



MATERIALS OF CONSTRUCTION

SERIES CFS



BILL OF MATERIALS

| No. | PARTS | MATERIAL | No. | PARTS | MATERIAL |
|-----|----------------|-----------------------------------|-----|--------------------|-----------------------------------|
| 1 | Body | A216 WCB/A351 CF8M/A352 LCC/ CN7M | 11 | Stem Packing/Seals | Graphite/HNBR/Viton |
| 2 | Seat | TFM/PEEK/RTFE/Teflon | 12 | Packing Gland | ASTM A182 F6A |
| 3 | Ball | SS316/410/CN7M | 13 | Gland Flange | A216 WCB/A351 CF8M/A352 LCC/ CN7M |
| 4 | Body Gasket | Graphite+304/HNBR/Viton/ Teflon | 14 | Stopper | A3+HZn |
| 5 | Stud | ASTM A193 B7/B7M/A320 L7/L7M/B8M | 15 | Snap Ring | 65Mn |
| 6 | Nut | ASTM A194 2H/2HM/A320 L7/L7M/8M | 16 | Bolt | Plated Carbon Steel |
| 7 | Left Body | A216 WCB/A351 CF8M/A352 LCC/ CN7M | 17 | "T" Joint | A216 WCB/A351 CF8M/A352 LCC/ CN7M |
| 8 | Stem | SS316/410/CN7M | 18 | Bolt | Plated Carbon Steel |
| 9 | Thrust Bearing | PTFE | 19 | Antistatic Device | Assembly/F316 |
| 10 | Stem Bearing | PTFE | 20 | Pipe Handle | Carbon Steel/Stainless Steel |

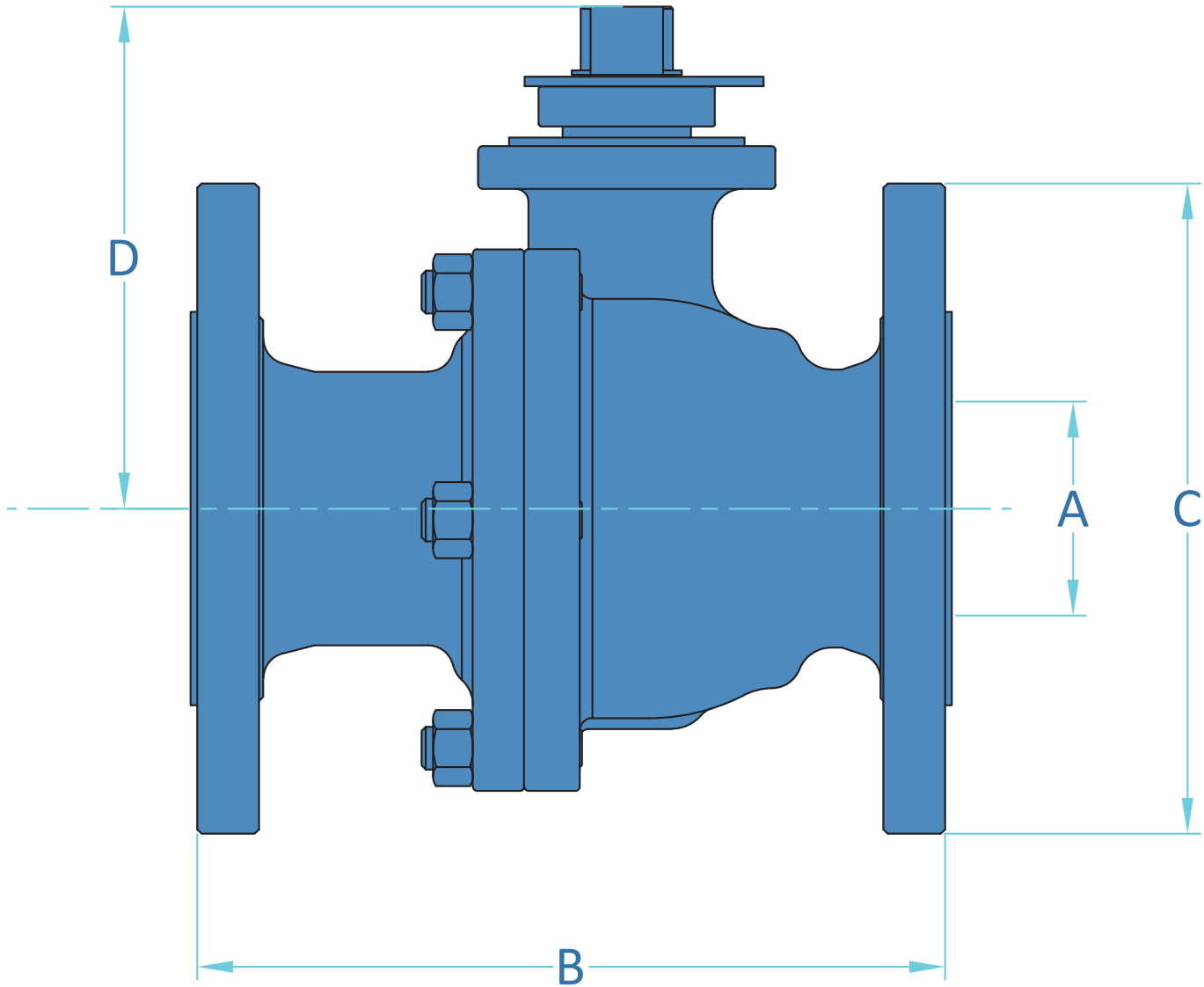
MANUFACTURING & TESTING STANDARDS

| | |
|----------------------|-------------|
| Design | ASME B16.34 |
| | API 6D |
| Face to Face Dim | ASME B16.10 |
| Flange Dimensions | ASME B16.5 |
| Valve Wall Thickness | ASME B16.34 |
| NACE | MR0175 |
| Testing | API 6D |
| Firesafe | API 607 4th |



MATERIALS AND ENGINEERING DATA

SERIES CFS



Dimension Chart

| UNIT | SIZE | 2"FP | 2"RP | 3"FP | 3"RP | 4"FP | 4"RP | 6"FP | 6"RP | 8"FP | 8"RP |
|----------|-----------|---------------|----------------------|----------------|--------------------|---------------|---------------------|----------------|----------------------|----------------|----------------------|
| in mm | A | 2 50.8 | 2x1.5 50.8 x 38.1 | 3 76.2 | 3x2 76.2 x 50.8 | 4 101.6 | 4x3 101.6 x 76.2 | 6 152.4 | 6x4 152.4 x 101.6 | 8 203.2 | 8x6 203.2 x 152.4 |
| in mm | B (150)RF | 7 177.8 | 7 177.8 | 8 203.2 | 8 203.2 | 9 228.6 | 9 228.6 | 15.5 393.7 | 15.5 393.7 | 18 457.2 | 18 457.2 |
| in mm | B (300)RF | 8.5 215.9 | 8.5 215.9 | 11.13 282.7 | 11.13 282.7 | 12 304.8 | 12 304.8 | 15.88 403.3 | 15.88 403.3 | ----- ----- | ----- ----- |
| in mm | C (150) | 6 152.4 | 6 152.4 | 7.5 190.5 | 7.5 190.5 | 9 228.6 | 9 228.6 | 11 279.4 | 11 279.4 | 13.5 342.9 | 13.5 342.9 |
| in mm | C (300) | 6.5 165.1 | 6.5 165.1 | 8.25 209.5 | 8.25 209.5 | 10 254 | 10 254 | 12.5 317.5 | 12.5 317.5 | ----- ----- | ----- ----- |
| in mm | D (150) | 4.65 118.1 | ----- ----- | 6.13 155.7 | ----- ----- | 6.13 155.7 | ----- ----- | 10 254 | ----- ----- | 13.5 342.9 | ----- ----- |
| in mm | D (300) | 4.65 118.1 | ----- ----- | 6.13 155.7 | ----- ----- | 7 177.8 | ----- ----- | 10 254 | ----- ----- | ----- ----- | ----- ----- |



HOW TO ORDER

SERIES CFS



SERIES CFS

- ◆ Sizes 2 – 12” 2-Piece Flanged Floating Design
- ◆ Full or Reduced Port
- ◆ API-608, API-6D, NACE MR0175 Compliant
- ◆ Fire Safe Design API 607, ISO 5211 Mounting Pad, Anti-Static Device
- ◆ Blowout Proof Stem with Heavy Duty Travel Stopper

| Series | Class | Body | Trim | Seats | Seals | Ends | Operator | Options | Size |
|-------------------------------|----------|------------------|--------------------|-----------------------|-------------|------------------|--------------------|---------------------|--------|
| Series CFS (Full Port) | 15 - 150 | 1 - Carbon Steel | 2 - Alloy 20 | H - TFM | G - Grafoil | RF - Raised Face | L - Lever Handle | SE - Stem Extension | 2" |
| | 30 - 300 | | 3 - 316SS | P - PEEK | H - HNBR | | | | 2 1/2" |
| Series RCFS (Reduced Port) | | 2 - Alloy 20 | 4 - A276 Grade 410 | R - Reinforced Teflon | T - Teflon | | GO - Gear Operator | X - Special | 4" |
| | | | 3 - 316SS | | | | | | |
| | | 5 - A352 - LCC | L - A350 LF2 | T - Teflon | | | | | 8" |
| | | | | | | | | | 10" |
| | | | X - Special | X - Special | | | | | 12" |

| | | | | | | | | | |
|------------|------------|----------|----------|----------|----------|-----------|----------|------------|------|
| CFS | 150 | 1 | 3 | H | G | RF | L | -02 | |
| Series | Class | Body | Trim | Seats | Seals | Ends | Operator | Options | Size |

Description:

Class150, 2-Piece Floating Design, Raised Face, Full Port, A216-WCB Investment Cast Body, F316 Stainless Steel Trim, Fire-safe, TFM Seats with Graphite Stem Packing and Gaskets, ISO 5211 Mounting Pad, Anti-Static Device, Solid Ball, Blowout Proof Stem with Heavy Duty Travel Stopper with Secure Locking Handle. Designed to API 6D, API 608, B16.34, B16.5, B16.10, Fire-tested to API 607, Tested to API 6D, NACE MR0175 Compliant

PLEASE NOTE: There may be some performance variations between the GVC Series CFS and other manufacturer's comparable body designs. To ensure the longevity of performance, please provide specific information relevant to the requirements needed for each application process.



8535 Jackrabbit Rd., Ste i
Houston, TX 77095
866.965.8GVC (482)
281.463.1474 office
281.463.7735 fax
www.GVCINTL.com

Please contact our sales representatives to receive more information regarding your systems particular needs.

Due to the ongoing development of our product line, Global Valve & Controls reserves the right to change the dimensions contained in the leaflet, as required.