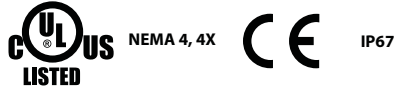


VERSATILE LIMITSWITCH



DXLW1 - Weather Proof SPDT Mechanical Switch



FEATURES

- Aluminum die cast enclosure, powder coated for superior corrosion resistance
- Weather proof enclosure to IP67
- Enclosure Certified by UL to UL508, File No. E249752
- Poly carbonate Dome, Shatterproof
- Red and Yellow Indicator
- Color coded cams easy to identify, and easy to set
- Serrated cams locked together ensures adjusted settings secured against any vibration
- Special circuit board eliminates internal wiring
- Circuit board laminated for complete corrosion protection
- Solenoid termination inside the switch box is standard
- Three conduit entries provided as standard
- Conduit entry options: ½" NPT, M20 X 1.5
- Complies to Namur mounting standard
- Temperature range 4°F to 146°F
- Bracket available as option



ORDERING OPTIONS

Series	Switch	Qty Switches	Conduit Entry	Color	Bracket	Certificate
DXLW		1	4R ½"NPT	B Black		U CU _L UL _L
		2	3M M20X1.5	Y Yellow		C CE

CODE	MAKE	MODEL	RATING
1A	Honeywell	V5C010EN3D	10Amp 120 or 250 VAC, 220 VDC 50Hz/60Hz, NO/NC
11A	Honeywell	V7 1C17E9 201	15Amp 120 or 250 VAC, 220 VDC 50Hz/60Hz, NO/NC
1B	Cherry	D43 CQ1 RA	5Amp 125 or 250 VAC, 220 VDC NO/NC
11B	Cherry	D45 CQ1 RA	15Amp 125 or 250 VAC, 220 VDC NO/NC

Refer to Bracket Selection Page

ORDERING EXAMPLE

- DXLW-1A2-4R-B-BKS1-U
- Weather proof switch box provided with (2) Honeywell 10 Amp switches, ½" NPT conduit entry, black enclosure. With stainless steel bracket suitable for 80X30 tapping and for 20mm pinion, UL approved.

VERSATILE LIMITSWITCH

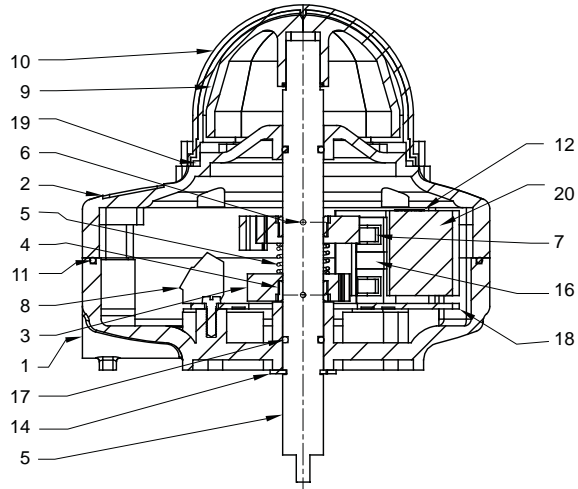


DXLW1 - Weather Proof SPDT Mechanical Switch

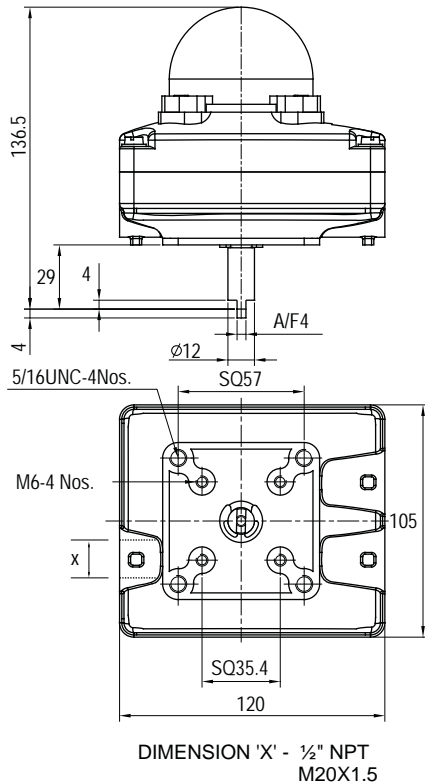
MATERIAL OF CONSTRUCTION

20	COVER FOR MICROSWITCH	1	POLYAMIDE
19	O-RING	1	NBR
18	CIRCUIT BOARD	1	-
17	O-RING	1	NBR
16	PAD	1	POLYAMIDE
15	SPRING	1	STAINLESS STEEL
14	'E' TYPE CIRCLIP	1	SPRING STEEL
13	NON FALLING SCREW	4	STAINLESS STEEL
12	SCREW FOR MICROSWITCH	2	STAINLESS STEEL
11	GASKET	1	NBR
10	INDICATOR COVER	1	POLYCARBONATE
9	INDICATOR	1	ABS PLASTIC
8	THREE WAY TERMINAL BLOCK	4	-
7	MICROSWITCH (SPDT)	2	HONEYWELL/CHERRY
6	SPRING DOWEL	2	SPRING STEEL
5	SHAFT	1	STAINLESS STEEL
4	CAM-LOCK	2	DELTRIN
3	CAM	2	POLYCARBONATE
2	COVER	1	ALUMINUM ALLOY LM-6
1	HOUSING	1	ALUMINUM ALLOY LM-6
S.NO.	DESCRIPTION	QTY.	MATERIAL

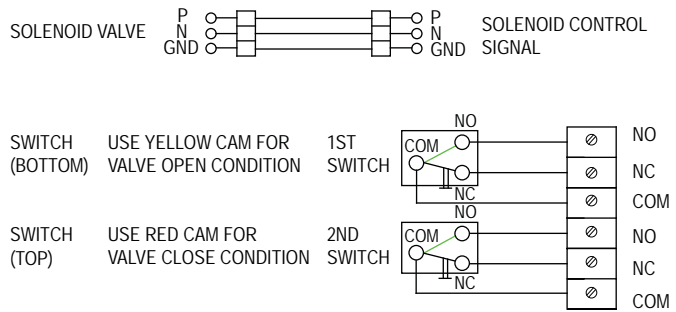
CROSS SECTION



DIMENSION DETAILS



WIRING DIAGRAM



VERSATILE LIMITSWITCH



DNLF1 - Explosion Proof SPDT Mechanical Switch



FEATURES

- Explosion proof to I, IIA, IIB, and IIC
- Enclosure Certified by UL to UL 1203 and UL 508, File No. E246615
- Switch Box conforms to Ex D IIC, T6 highest level of safety
- ATEX Certified by CESI, Italy, Certification No. CESI 05 ATEX017
- Aluminum die cast enclosure, powder coated for superior corrosion resistance
- Weather proof enclosure to IP67
- Polycarbonate Dome, Shatterproof
- Red and Yellow Indicator
- Color coded cams easy to identify, and easy to set
- Serrated cams locked together ensures adjusted settings secured against any vibration
- Special circuit board eliminates internal wiring
- Circuit board laminated for complete corrosion protection
- Solenoid termination inside the switch box is standard
- Two conduit entries provided as standard
- Conduit entry options: 1/2" NPT, 3/4" NPT, M20 X 1.5
- Complies to Namur mounting standard
- Temperature range 4°F to 146°F
- Bracket available as option



ORDERING OPTIONS

Series	Switch	Qty Switches	Conduit Entry	Color	Bracket	Certificate
DNLF		1 2	4R 1/2" NPT 6R 3/4" NPT 3M M20X1.5	B Black Y Yellow		U CU _L , UL _L C CE A ATEX CM CMRI CC CMRI CCDE
CODE	MAKE	MODEL	RATING	Refer to Bracket Selection Page		
1A	Honeywell	V5C010EN3D	10Amp 120 or 250 VAC, 220 VDC 50Hz/60Hz, NO/NC			
11A	Honeywell	V7 1C17E9 201	15Amp 120 or 250 VAC, 220 VDC 50Hz/60Hz, NO/NC			
1B	Cherry	D43 CQ1 RA	5Amp 125 or 250 VAC, 220 VDC NO/NC			
11B	Cherry	D45 CQ1 RA	15Amp 125 or 250 VAC, 220 VDC NO/NC			

ORDERING EXAMPLE

- DNLF-1A2-6R-B-BKS1-U
- Explosion proof to I, IIA and IIB and Weather proof box provided with Honeywell 15 Amps switches 2 nos, each with one NO and one NC, 3/4" NPT cable gland entry. With Stainless Steel bracket, 80X30 tapping, 20mm pinion height, UL approved.

Specifications are subject to change without notice

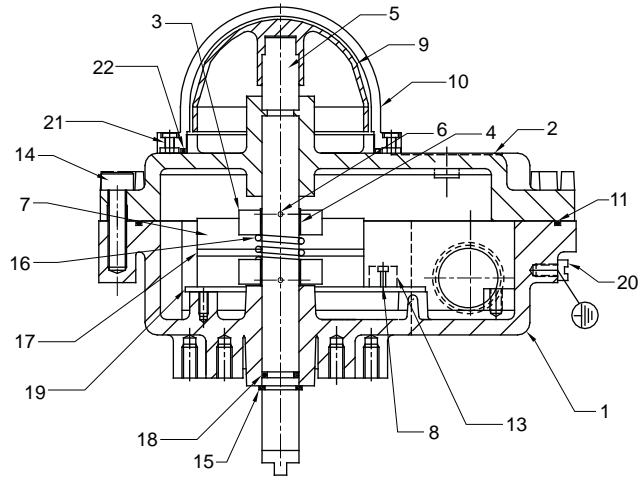
VERSATILE LIMITSWITCH

DNLF1 - Explosion Proof SPDT Mechanical Switch

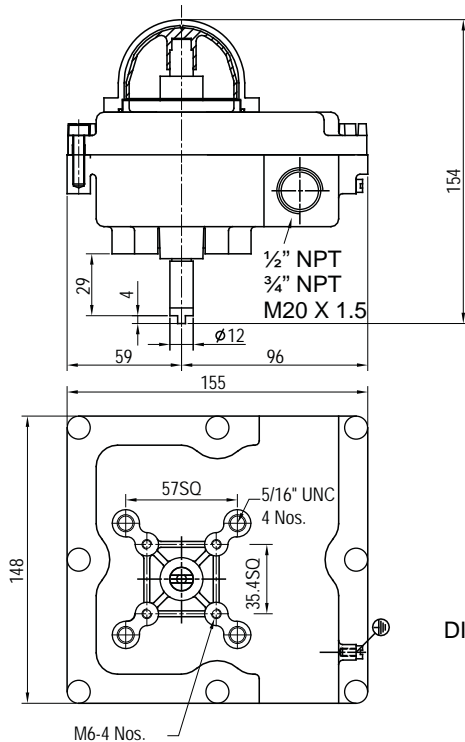
MATERIAL OF CONSTRUCTION

22	O RING	1	NBR
21	PHILIPS HEAD SCREW	4	STAINLESS STEEL
20	SCREW FOR EARTHING	2	STAINLESS STEEL
19	CIRCUIT BOARD	1	-
18	'O' RING	2	NBR
17	PAD	1	POLYAMIDE
16	SPRING	1	STAINLESS STEEL
15	'E' TYPE CIRCLIP	1	SPRING STEEL
14	SCREW FOR COVER	8	STAINLESS STEEL
13	SCREW FOR CONN. STRIP	2	STAINLESS STEEL
12	SCREW FOR MICROSWITCH	2	STAINLESS STEEL
11	GASKET	1	NBR
10	INDICATOR COVER	1	POLYCARBONATE
9	INDICATOR	1	ABS PLASTIC
8	CONNECTOR STRIP-6WAY	1	POLYAMIDE
7	MICROSWITCH (SPDT)	2	HONEYWELL/CHERRY
6	SPRING DOWEL	2	SPRING STEEL
5	SHAFT	1	STAINLESS STEEL
4	CAM-LOCK	2	POM
3	CAM	2	POLYAMIDE
2	COVER	1	ALUMINUM ALLOY LM-6
1	HOUSING	1	ALUMINUM ALLOY LM-6
S.NO.	DESCRIPTION	QTY.	MATERIAL

CROSS SECTION



DIMENSION DETAILS



WIRING DIAGRAM

