



GLOBAL VALVE
& CONTROLS



SERIES GL

SERIES GL - GLOBE VALVE

ANSI 150-300-600-1500-2500

WCB • CF8M • Varios Other Materials



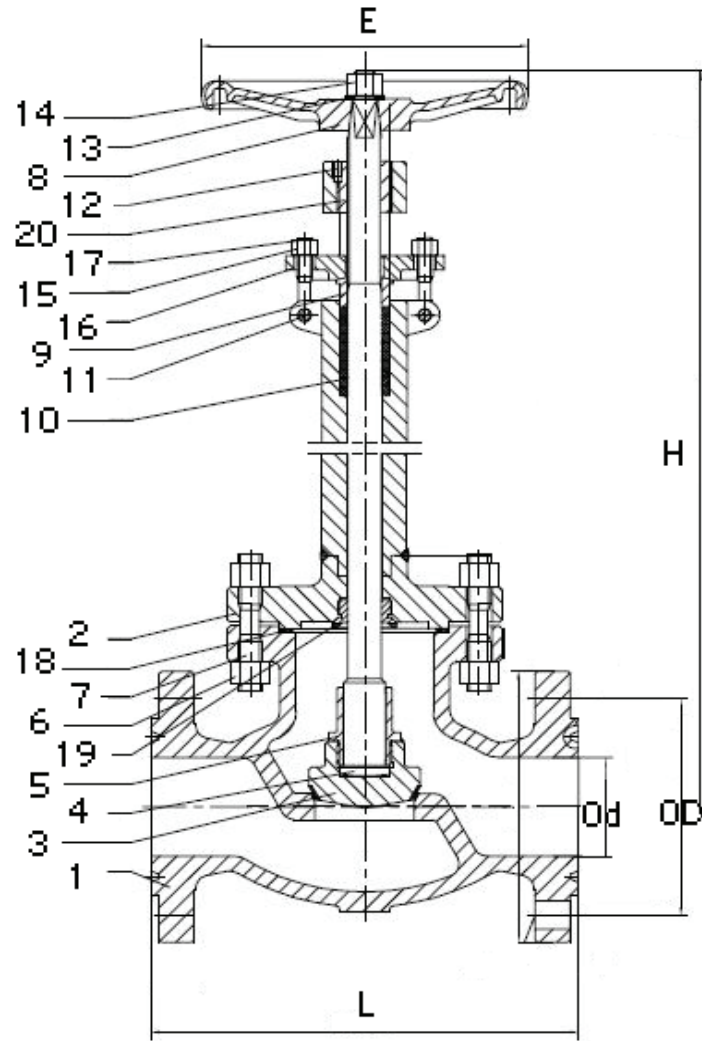
Providing Hundreds of Products. Supporting Thousands of Clients. Controlling Millions of Gallons.

Depend On Us, We Can Handle The Pressure.



MATERIALS OF CONSTRUCTION

SERIES GL



Material List

NO.	Parts Name	WCB	WC6	LCB
1	Body	A216 - WCB	A217 - WC6	A352 - LCB
2	Bonnet	A216 - WCB	A217 - WC6	A352 - LCB
3	Disc	A216 - WCB + H/F 410	A217 - WC6 + H/F 410	A352 - LCB + H/F 410
4	Stem	A276 - 410		
5	Seat	A105 + H/F STL #6	A182 - F11 + H/F STL #6	A350 - LF2 + H/F STL #6
6	Disc Nut	A276 - 410		
7	Back Seat	A276 - 410		
8	Hand Wheel	A47 / A536		
9	Gasket	304 Spiralwound w/ Graphoil Filler		
10	Gland Flange	A216 - WCB		
11	Gland	A276 - 410		
12	Gland Packing	Graphite		
13	Eye Bold Pin	A276 - 410		
14	Stem Nut	A439 - 410		
15	Washer	A36 + Zn Plate		
16	Wheel Nut	A194 - 2H		
17	Eye Bolt	A307 B		
18	Eye Bolt Nut	A194 - 2H		
19	Bonnet Bolt	A193 - B7	A193 - B7	A193 - B7M

Manufacturing & Testing Standards

Face to Face	ASME B16.10
Steel Valves	ASME B16.34
End Flanges	ASME B16.5
Inspection and Tests	API 598
Butt Welding Ends	ASME B16.25
Base Design	API 600

CLASS 150

Size	Ød	L	H(Open)	E	ØD
1/2"	0.5	4.25	7.5	3.5	3.5
3/4"	0.75	4.6	7.9	4	3.85
1"	1	5	9	4	4.25
1 1/2"	1.5	6.5	9.5	5.5	5
2"	5	8	9.85	6.3	6
2 1/2"	2.5	8.5	10.7	7.1	7
3"	3	9.5	11.5	7.9	7.5
4"	4	11.5	13.8	8.9	9
6"	6	16	20.5	11.85	11
8"	8	19.5	22.5	13.8	13.5
10"	10	24.5	26.4	15.75	16
10"	12	27.5	29	20	19

units in mm

CLASS 300

Size	Ød	L	H(Open)	E	ØD
2"	2	10.5	15	7.9	6.5
2 1/2"	2.5	11.5	16.9	9.9	7.5
3"	3	12.5	18.45	11.85	8.25
4"	4	14	21.1	11.85	10
6"	6	17.5	25.3	15.75	12.5
8"	8	22	29.8	19.7	15
10"	10	24.5	33.6	23.65	17.5
12"	12	28	38.8	27.5	20.5
14"	14.43	33	43.65	31.5	23
16"	15.25	34	47.5	35.5	25.5

units in mm

CLASS 600

Size	Ød	L	H(Open)	E	ØD
2"	2	11.5	17.5	9.85	6.5
2 1/2"	2.5	13	20.5	9.85	7.5
3"	3	14	22.25	11.8	8.25
4"	4	17	26.65	15.75	10.75
6"	6	22	35	22.85	14
8"	7.9	26	44	23.65	16.5
10"	9.75	31	52.75	25.6	17
12"	11.75	33	61.8	25.6	22

units in mm

CLASS 900

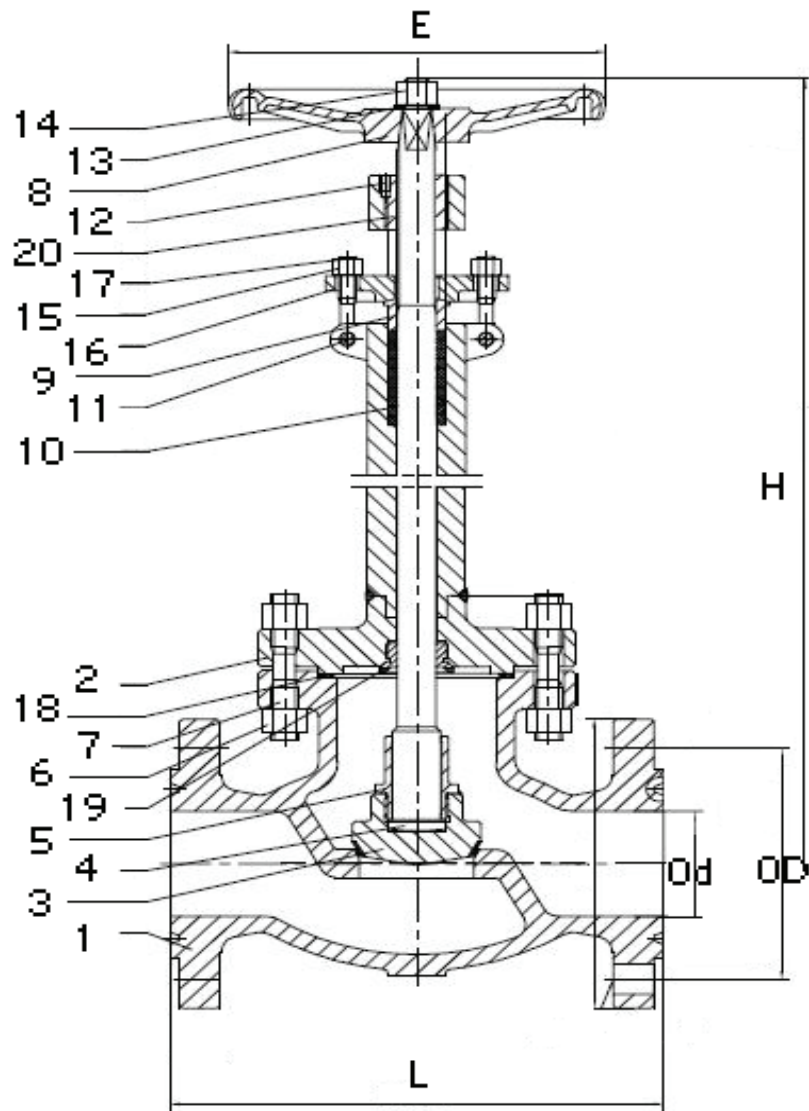
Size	Ød	L	H	E	ØD
2"	2	14.5	18	14	8.5
2 1/2"	2.5	16.5	19.5	16	9.75
3"	3	15	24.2	18	9.75
4"	4	18	31.05	22	11.5
6"	6	24	34.9	22	15
8"	8	29	36.7	24	18.5
10"	9.75	33	40.9	24	21.5
12"	11.8	36	50.1	26	24.25

units in mm

CLASS 1500

Size	Ød	L	H	E	ØD
2"	2	14.6	23.3	14	8.5
2 1/2"	2.5	16.6	25.9	16	9.6
3"	3	18.6	27.04	18	10.5
4"	4	21.6	35.7	18.11	12.25
6"	6	28.05	39.96	24.02	15.5
8"	8	33.1	45.08	24.02	19
10"	10	36.25	49.55	24.02	23.1

units in mm



Series GL Valves ANSI Class 2500 are available. For additional information please contact GVC.

FEATURES & OPTIONS

- Cast steel bolt bonnet, OS & Y Globe Valve
- ANSI Class 150-2500
- Flanged ends to Raised Face, RTJ and butt weld ends.
- WCB, CF8M, and various other alloys available
- Horizontal or vertical
- GVC globe valve is regularly made in outside screw and yoke design with full way type disc.
- Bolted design / with spherical form with large radius, which permits the stress to be kept minimum.
- Welded seat design to prevent any turbulence and damage by corrosion.

ORDERING INFORMATION

Size	Series	Class	Body	Seat / Trim (API 600 Trim)	End connections	Special
2"	GL	15-150	1 - Carbon Steel 2 - Alloy 20 3 - Stainless Steel LC - A352 X - Special	5 - Hardfaced & Stellite 8 - 410 & Hardfaced 10 - 316 SS 12 - 316 & Hardfaced X - Special	1 - RF - Raised Face 2 - RTJ - Ring Type Joint 3 - BW - Butt Weld Ends	X - Special
3"		30-300				
6"		60-600				
8"		90-900				
10"		51-1500				
12"		25-2500				
14"						
16"						

- 2" GL601-5-1

PLEASE NOTE: *There may be some performance variations between the GVC Series GL and other manufacturer's comparable body designs. To ensure the longevity of performance, please provide specific information relevant to the requirements needed for each application process.*



GLOBAL VALVE
& CONTROLS

Office Local 281.463.1474
Fax Numbers 866.964.8536 • 281.463.7735

8535 Jackrabbit Rd., Ste I
Houston, Texas 77095

www.GlobalValveandControls.com
866.965.8GVC (482)