



GLOBAL VALVE
& CONTROLS



SERIES NV10000

HIGH PRESSURE NEEDLE VALVE

Stainless Steel ■ Carbon Steel

SERIES NV10000



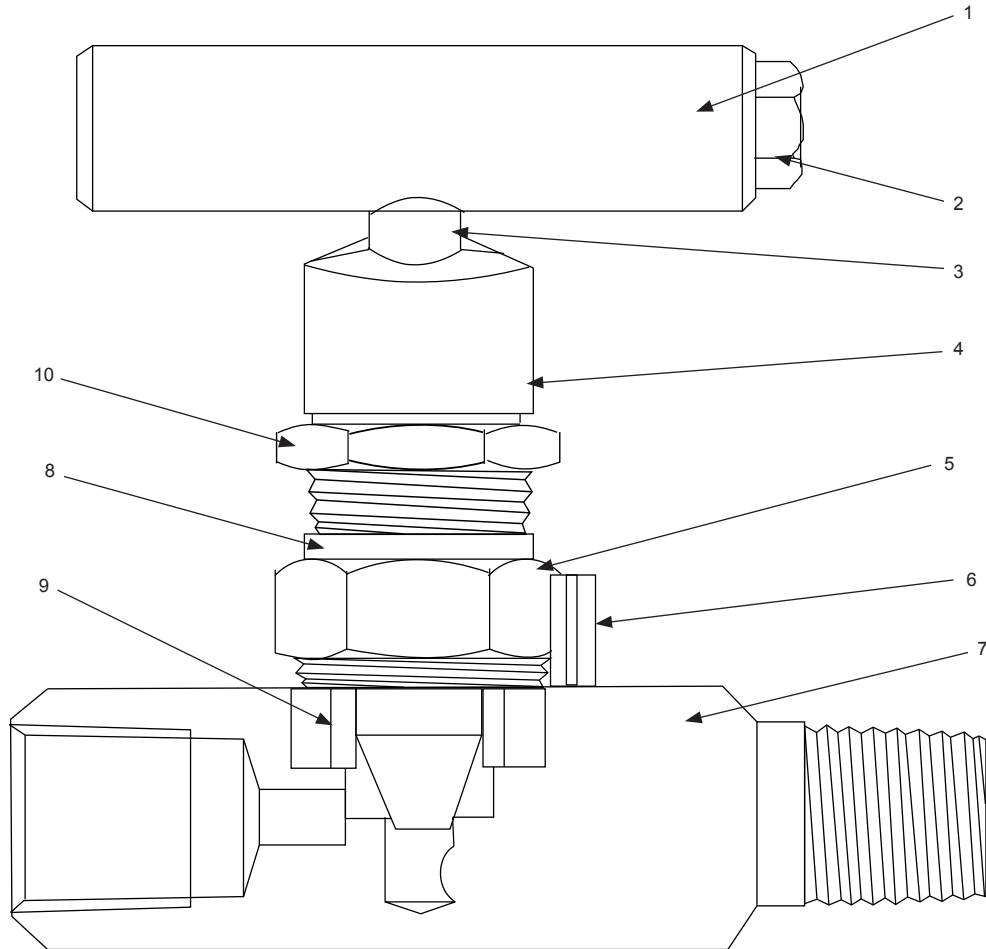
Providing Hundreds of Products. Supporting Thousands of Clients. Controlling Millions of Gallons.

Depend On Us, We Can Handle The Pressure.



MATERIALS OF CONSTRUCTION

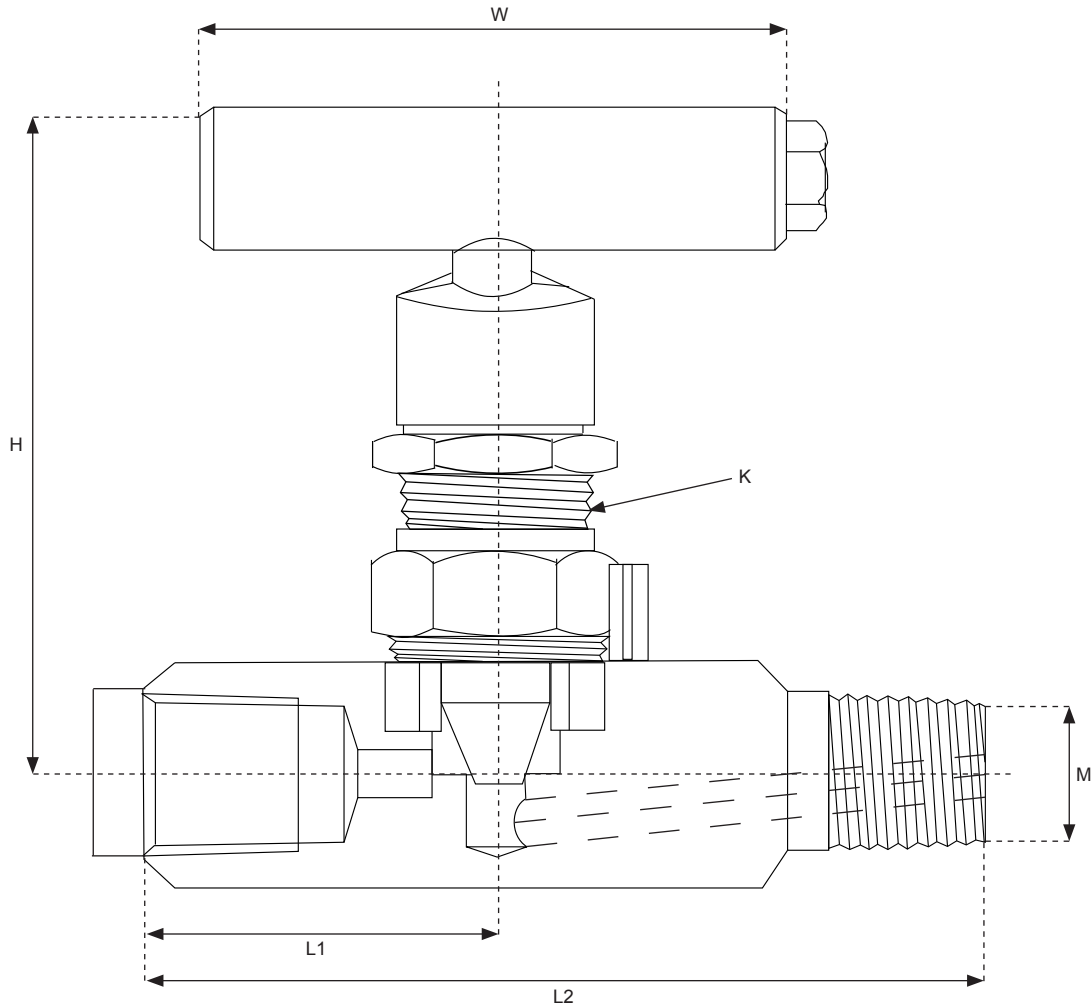
SERIES NV10000



NO.	PART NAME	MATERIAL
1	Handle	304SS
2	Cap Screw	304SS
3	Stem	316SS
4	Dust Cap	Plastic
5	Bonnet	A276-316
6	Pin	304SS
7	Body	A246-316, A105-CS
8	Stem Bushing	316SS
9	Seat	Metallic or Nylon
10	Panel Nut	316SS

ENGINEERING DATA

SERIES NV10000



SIZE		NPT	ØD	W	H	L1	L2	STROKE
DM	NPS							
8	1/4"	1/4"	6.2	60	92	32.5	75	9.5
10	3/8"	3/8"	6.2	60	92	32.5	75	9.5
15	1/2"	1/2"	6.2	60	92	36.5	85	9.5
20	3/4"	3/4"	8.0	70	110	42.5	100	12.5
25	1"	1"	10.0	80	135	50.0	115	15.5

*All dimensions are in inches

SEAT MATERIAL	TEMPERATURE RATING	PRESSURE RATING @MAX TEMPERATURE
Nylon	-20°F ~ 200°F (-29°C ~ 93°C)	10000 psig @200°F (93°C)
Metallic	-20°F ~ 200°F	10000 psig @400°F (204°C)

FEATURES & OPTIONS

- Packed bonnet style, locked in place with shroud to prevent inadvertent loosening
- Stem constructed of 316SS and features rolled thread for smooth action
- Available in hard or soft seats
- Maximum operating pressure 10000 psi
- End connections in either male or female are available
- Panel mount assembly
- Sizes 1/4" to 1"

ORDERING INFORMATION

Size	Series	Body	Trim	Seats	Seals	Ends
1/4" 3/8" 1/2" 3/4" 1"	NV10000	1 - Carbon Steel 3 - 316SS X - Special	3 - 316SS X - Special	M - Metal R - Reinforced Teflon	R - Reinforced Teflon	FxF - Female NPT ends MxF - Male x Female NPT ends

- 1"NV1000033RRFxF

PLEASE NOTE: *There may be some performance variations between the GVC NV10000 and other manufacturer's comparable body designs. To ensure the longevity of performance, please provide specific information relevant to the requirements needed for each application process.*



Office Local 281.463.1474
Fax Numbers 866.964.8536 ▪ 281.463.7735

8535 Jackrabbit Rd., Ste 1
Houston, Texas 77095

www.GlobalValveandControls.com
866.965.8GVC (482)

