



GLOBAL VALVE
& CONTROLS

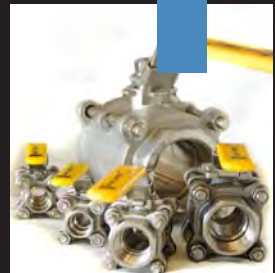


SERIES 30

THREE PIECE FULL PORT BALL VALVE

Carbon Steel ■ Stainless Steel

SERIES 30



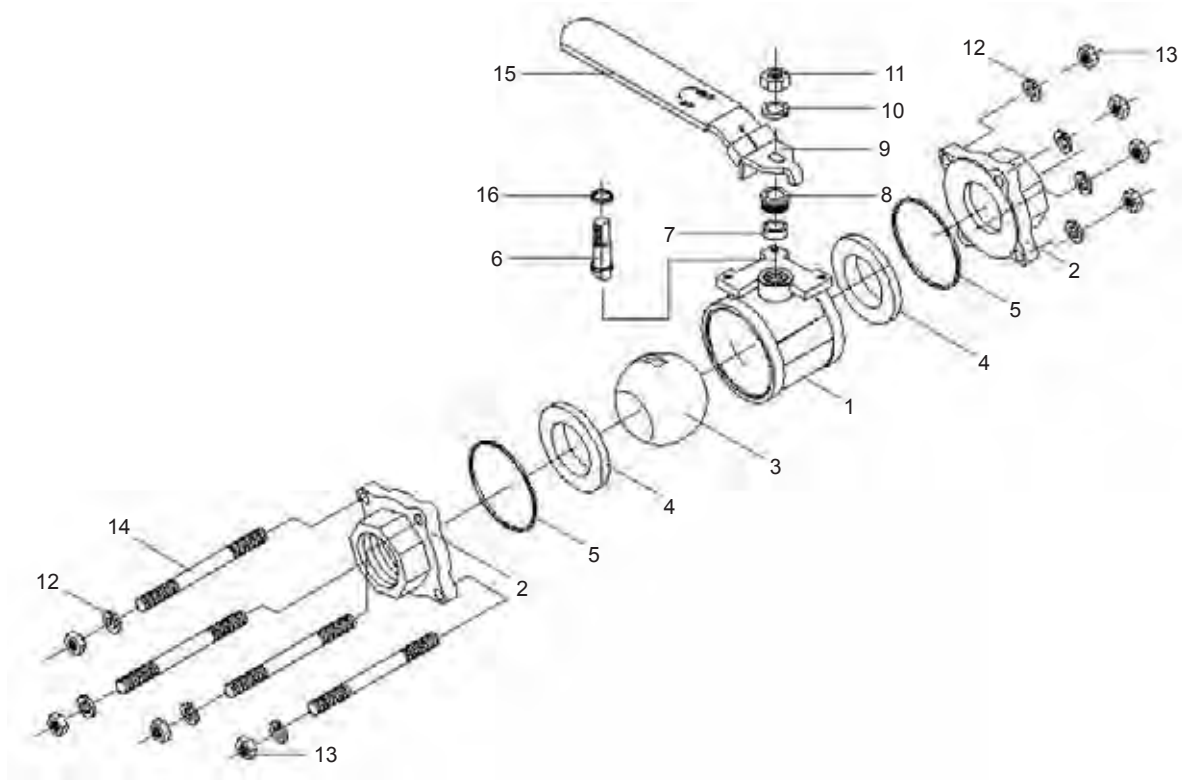
Providing Hundreds of Products. Supporting Thousands of Clients. Controlling Millions of Gallons.

Depend On Us, We Can Handle The Pressure.



MATERIALS OF CONSTRUCTION

SERIES 30

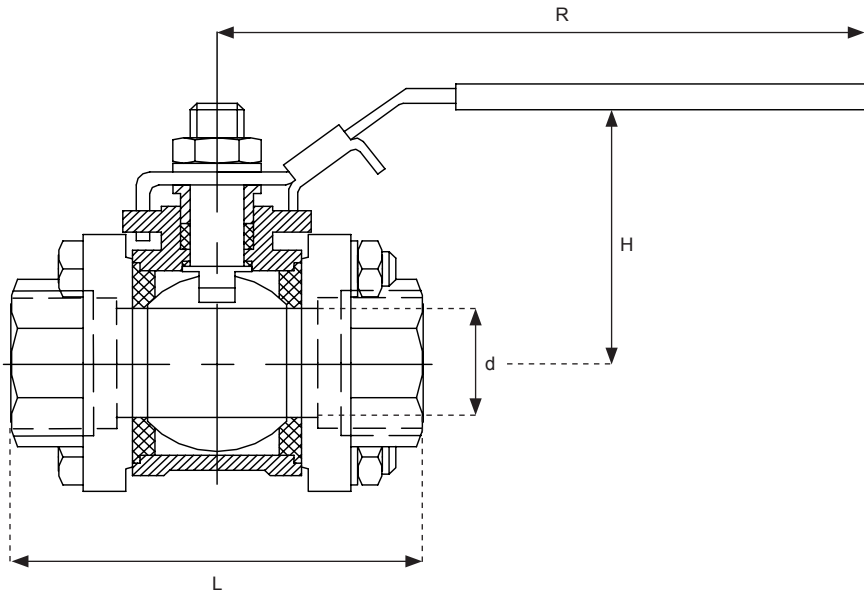


NO.	PART NAME	MATERIAL	
		SERIES 30-33 SS CONSTRUCTION	SERIES 30-13 CS CONSTRUCTION
1	Body	A351-CF8M	A216-WCB
2	Valve End (threaded shown)	A351-CF8M	A216-WCB
3	Ball	316SS	
4	Seat	Reinforced Teflon/TFM/Teflon	
5	Valve Body Gasket	Reinforced Teflon/TFM/Teflon	
6	Stem	A276-316	
7	Gland Packing	PTFE®/RTFE/TFM	
8	Gland	304SS	
9	Handle (standard shown)	304SS	
10	Stem Washer	316SS	
11	Stem Nut	304SS	
12	Bolt Washer	316SS	
13	Nut	316SS	
14	Bolt	316SS	
15	Handle Cover	Plastic	
16	Thrust Bearing	PTFE® or RTFE	

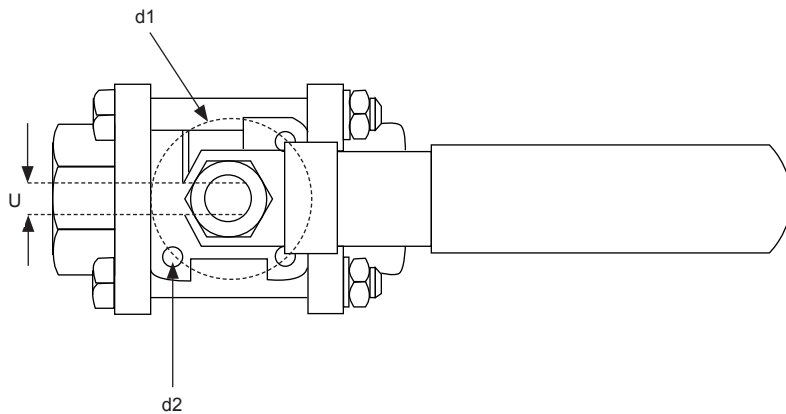
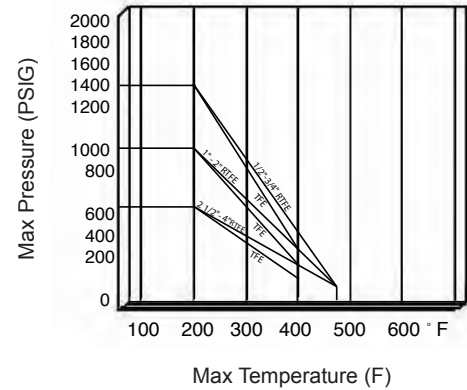
© Registered Trademark of E.I. DuPont

ENGINEERING DATA

SERIES 30

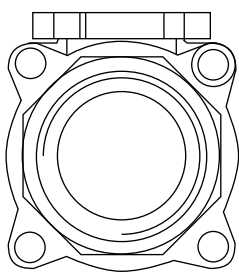


Pressure Temperature Ratings

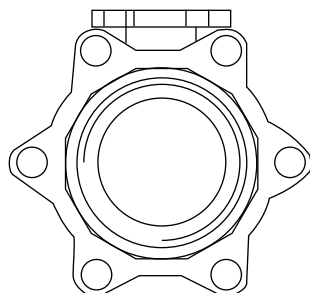


SIZE	CV FACTOR	TORQUE	WEIGHT
1/4"	13	17-43	0.93
3/8"	24	17-52	0.91
1/2"	35	17-87	1.42
3/4"	63	26-104	1.75
1"	96	43-113	3.13
1 1/4"	129	52-130	5.03
1 1/2"	205	87-217	6.55
2"	465	130-303	9.75
2 1/2"	834	156-346	17.38
3"	1097	173-390	29.68
4"	1960	260-606	53.95

*CV = GPM results in a 1 psi pressure drop



A VIEW - Up to 2 1/2"



A VIEW - 3" to 4"

SIZE	d	L	H	R	d1	d2	U
1/4"	0.457	2.520	2.008	4.055	1.417	M5	0.197
3/8"	0.500	2.520	2.008	4.055	1.417	M5	0.197
1/2"	0.591	2.827	2.126	4.055	1.417	M5	0.197
3/4"	0.787	3.339	2.244	4.921	1.654	M5	0.256
1"	1.000	3.587	2.598	5.709	1.654	M5	0.315
1 1/4"	1.260	4.331	2.835	5.709	1.654	M5	0.315
1 1/2"	1.496	4.831	3.209	7.480	1.969	M6	0.382
2"	2.000	5.579	3.563	7.480	1.969	M6	0.382
2 1/2"	2.559	6.843	5.453	9.843	2.756	M8	0.472
3"	2.992	7.587	5.866	9.843	2.756	M8	0.472
4"	3.937	10.791	6.949	11.339	3.543	M10	0.591

*All dimensions are in inches

FEATURES & OPTIONS

- Full port, three piece swing out body design
- High quality investment casting
- In-line repairable
- Blowout proof stem
- Locking stainless steel handle
- Adjustable stem packing
- Available with threaded, socket weld and butt weld end connections
- Available in carbon steel or stainless steel
- Interchangeable flange caps allow for maximum versatility and reduce required spare parts inventory
- 1000 W.O.G (PSI) design

ORDERING INFORMATION

Size	Series	Body	Trim	Seats	Seals	Ends	Options
1/4"	30	1 - Carbon Steel 3 - 316SS X - Special	1 - Carbon Steel 3 - 316SS X - Special	H - TFM	G - Grafoil	SW - Socket Weld	L - Lever Handle OH - Oval Handle
3/8"				R - Reinforced Teflon	H - TFM	BW - Butt Weld	
1/2"				T - Teflon	R - Reinforced Teflon	TC - TriClamp	
3/4"					T - Teflon	TE - Threaded Ends	
1"							
1 1/4"							
1 1/2"							
2"							
2 1/2"							
3"							
4"							

- 2"3033RRTEOH

PLEASE NOTE: *There may be some performance variations between the GVC Series 30 and other manufacturer's comparable body designs. To ensure the longevity of performance, please provide specific information relevant to the requirements needed for each application process.*



Office Local 281.463.1474
 Fax Numbers 866.964.8536 ▪ 281.463.7735

8535 Jackrabbit Rd., Ste 1
 Houston, Texas 77095

www.GlobalValveandControls.com
 866.965.8GVC (482)

