



GLOBAL VALVE
& CONTROLS



SERIES 20-RP

THREADED STANDARD PORT BALL VALVE

Carbon Steel ■ Stainless Steel

SERIES 20-RP



Providing Hundreds of Products. Supporting Thousands of Clients. Controlling Millions of Gallons.

Depend On Us, We Can Handle The Pressure.

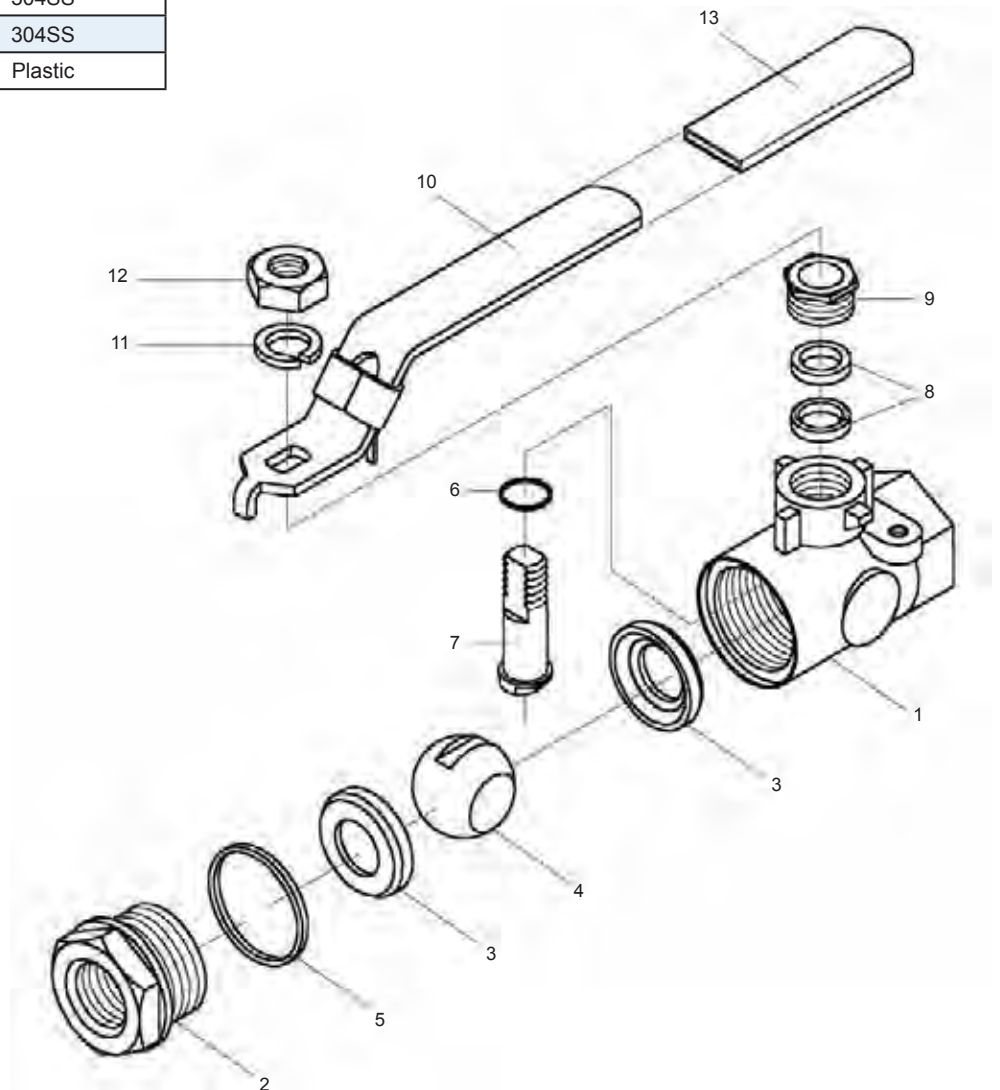


MATERIALS OF CONSTRUCTION

SERIES 20-RP

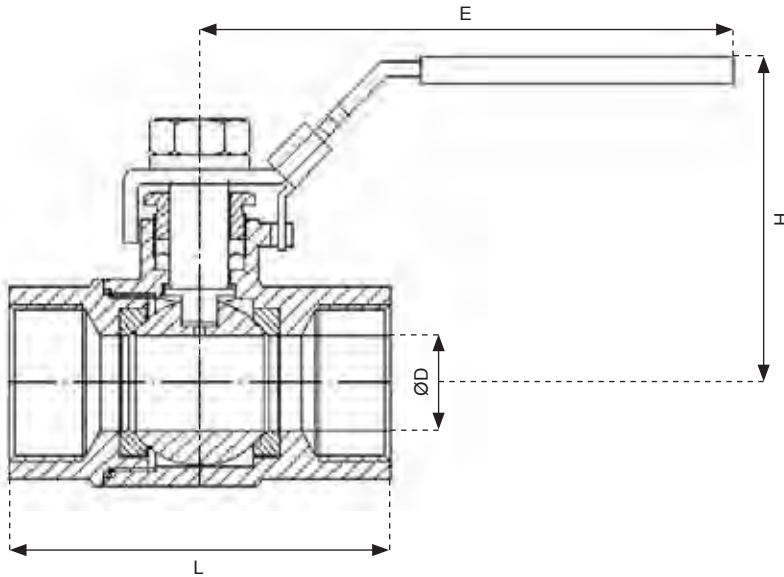
NO.	PART NAME	MATERIAL
1	Body	A351-CF8M A216-WCB
2	End Connector	A351-CF8M A216-WCB
3	Seat	RPTFE® or NOVA
4	Ball	316SS
5	Valve Body Gasket	PTFE® or NOVA
6	Thrust Ring	PTFE® or NOVA
7	Stem	316SS
8	Gland Packing	PTFE® or NOVA
9	Gland Nut	304SS
10	Handle (standard shown)	304SS
11	Stem Washer	304SS
12	Stem Nut	304SS
13	Handle Cover	Plastic

© Registered Trademark of E.I. DuPont



ENGINEERING DATA

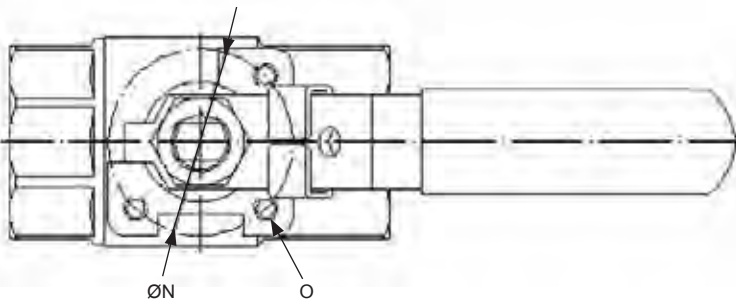
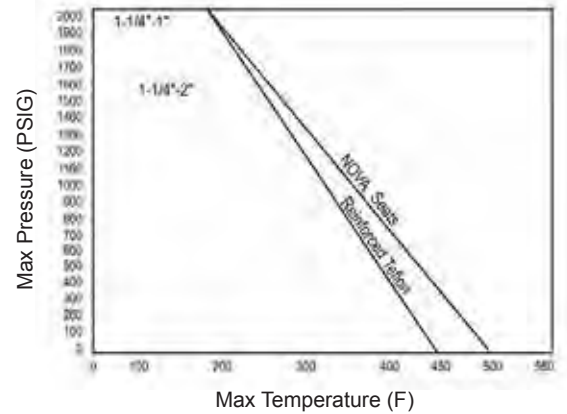
SERIES 20-RP



SIZE	CV FACTOR	WEIGHT
1/4"	6	1.00
3/8"	6	.89
1/2"	12	1.30
3/4"	24	2.00
1"	38	2.40
1 1/4"	47	4.50
1 1/2"	82	4.50
2"	109	6.00

*CV = GPM results in a 1 psi pressure drop

Pressure Temperature Ratings



SIZE	ØD	L	H	E	ØN	O
1/4"	0.441	2.236	2.063	3.94	0.441	3/16-24UNC
3/8"	0.500	2.236	2.063	3.78	0.500	3/16-24UNC
1/2"	0.500	2.311	2.063	3.78	0.500	3/16-24UNC
3/4"	0.610	3.110	2.480	4.48	0.693	3/16-24UNC
1"	0.900	3.386	2.626	4.90	0.882	3/16-24UNC
1 1/4"	1.050	4.075	3.394	6.08	1.000	1/4-20UNC
1 1/2"	1.244	4.354	3.579	6.37	1.244	1/4-20UNC
2"	1.840	5.386	3.756	7.45	1.500	1/4-20UNC

*All dimensions are in inches

FEATURES & OPTIONS

- NACE compliant
- Standard port, two piece body (1/4" & 1/2" Full port)
- High quality investment casting
- Blowout proof stem
- Locking stainless steel handle
- Adjustable stem packing
- Threaded ends to ANSI B1.20.1 (NPT)
- ASTM-A216 or ASTM-A351 available
- 1/4" to 1" 2000 W.O.G (PSI) design
- 1 1/4" to 2" 1500 W.O.G. (PSI) design

ORDERING INFORMATION

Size	Series	Body	Trim	Seats	Seals	Ends	Options
1/4"	20RP	1 - Carbon Steel	1 - Carbon Steel	H - TFM	G - Grafoil	TE - Threaded Ends	O2 - Oxygen Service OH - Oval Handle
3/8"			1 - Carbon Steel	R - Reinforced	H - TFM		
1/2"		3 - 316SS	3 - 316SS	Teflon	R - Reinforced	Teflon	
3/4"			3 - 316SS	T - Teflon	T - Teflon		
1"		X - Special	X - Special				
1 1/4"							
1 1/2"							
2"							

▪ 2"20RP33HGTEOH

PLEASE NOTE: *There may be some performance variations between the GVC Series 20RP and other manufacturer's comparable body designs. To ensure the longevity of performance, please provide specific information relevant to the requirements needed for each application process.*



Office Local 281.463.1474
 Fax Numbers 866.964.8536 ▪ 281.463.7735
 8535 Jackrabbit Rd., Ste 1
 Houston, Texas 77095
www.GlobalValveandControls.com
 866.965.8GVC (482)

